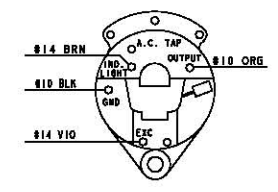
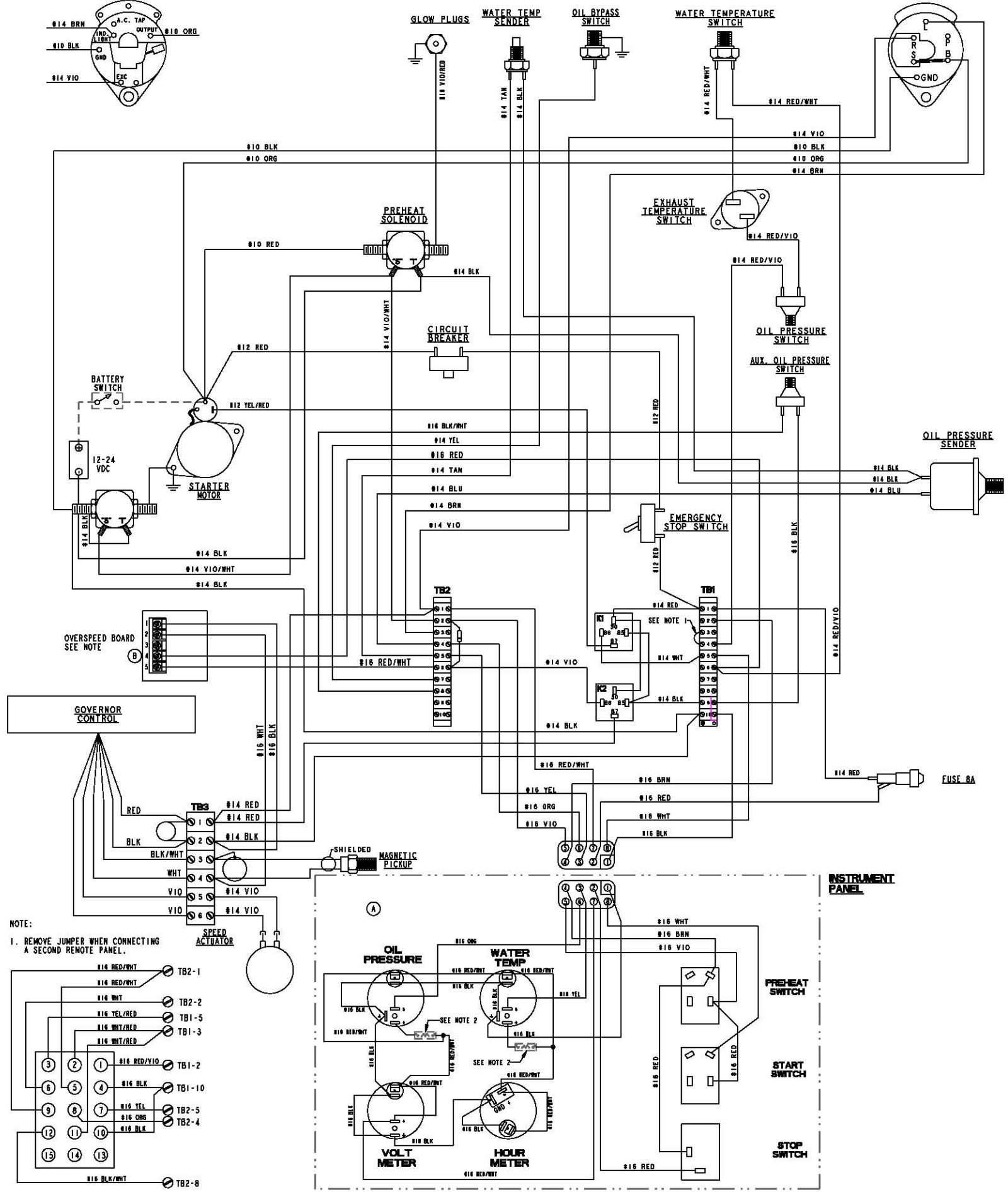
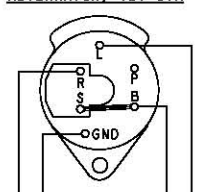


ECO NO.	DATE	REV.	REVISION RECORD	DATE	BY
5121	11/7/14	A	GAUGES CHANGED; REWIRING INSTRUMENT PANEL		JRS
5121	01	A	CORRECTED SCHEMATIC		
5787	02/22	B	ADD OVERSPEED BOARD		GA

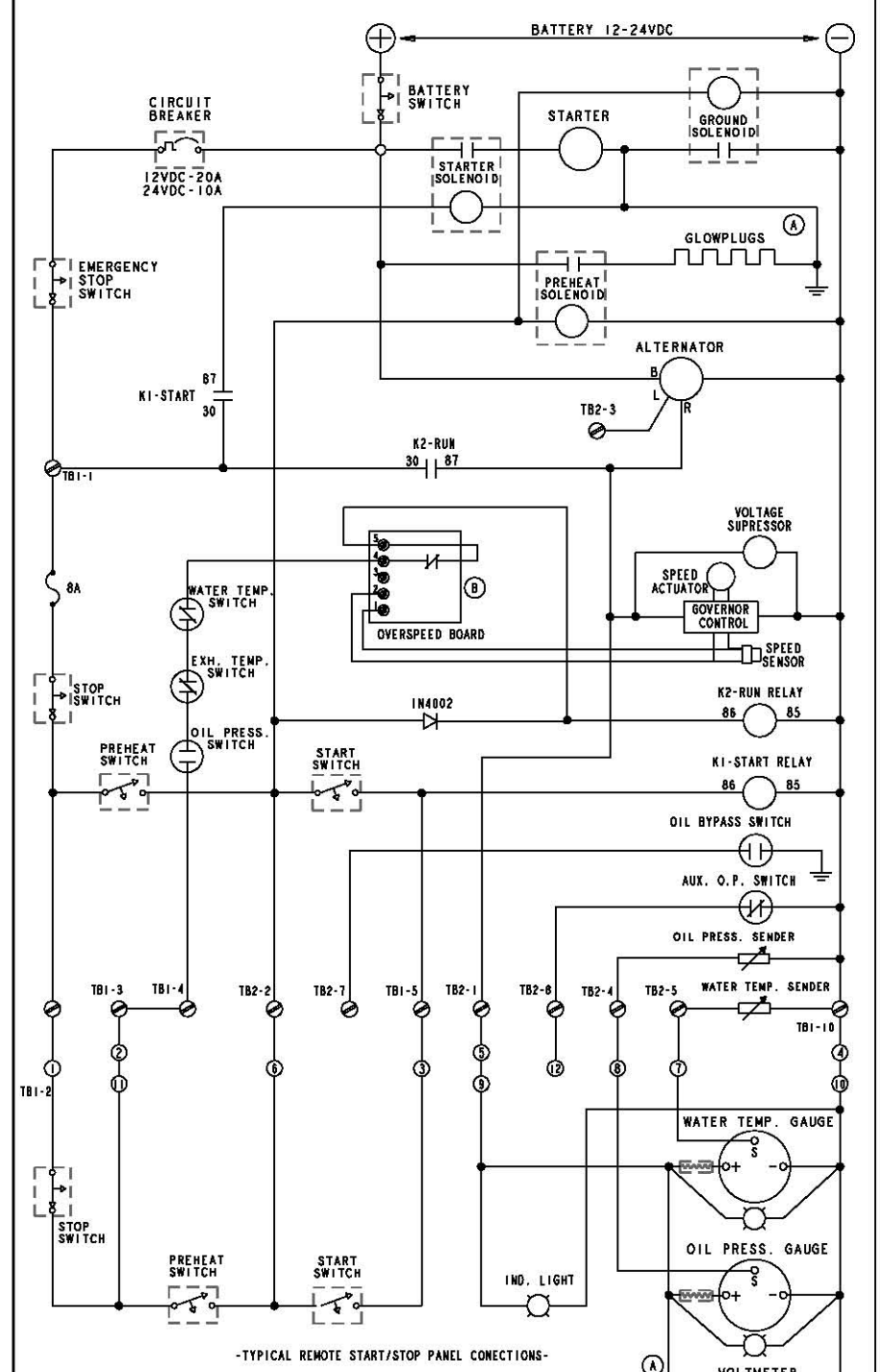
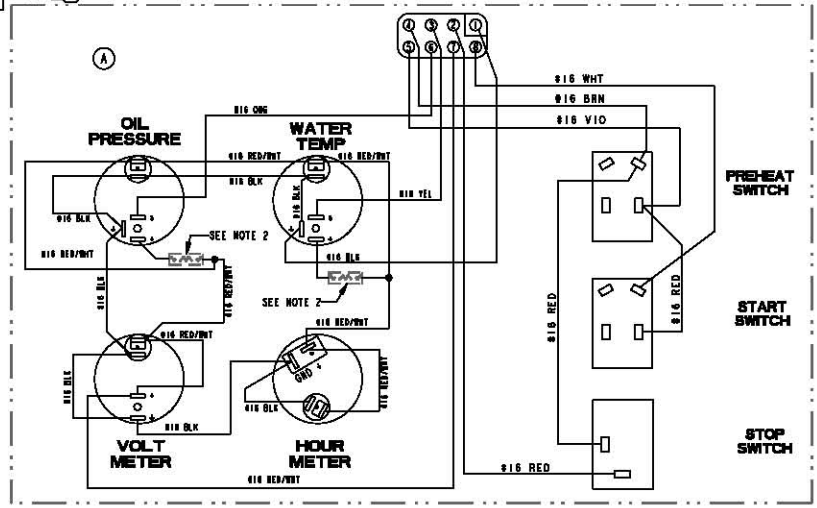
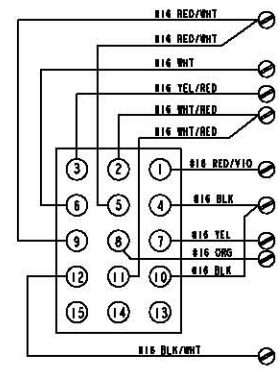
ALTERNATOR, 24V 42A



ALTERNATOR, 12V 51A



NOTE:  
1. REMOVE JUMPER WHEN CONNECTING A SECOND REMOTE PANEL.



NOTE:  
1. REMOTE CONNECTOR PINS  
2. FOR 24 VOLT SYSTEM, USE 150Ω RESISTOR AS SHOWN.  
3. JUMPER SETTING:  
J1 OPEN - 50HZ  
J2 CLOSE - 60HZ  
J3 OPEN - 5-15KW  
J4 CLOSE - 20-95KW

TOLERANCES		WESTERBEKE CORPORATION	
UNLESS OTHERWISE SPECIFIED		AVON, MA. 02322	
INCHES	FRACTIONS	WIRING DIAGRAM/SCHEMATIC	
MILLIMETERS	DECIMALS	MARINE GENERATOR - UNGROUNDED	
DATE	BY	DATE	BY
11/18/14	JRS	02/22/15	GA
APPROVED BY	DATE	APPROVED BY	DATE
SCALE	DATE	SCALE	DATE
INCHES		MILLIMETERS	
1" = 1"		1" = 25.4mm	
3/16" = 4.75mm		1/8" = 3.175mm	
1/4" = 6.35mm		3/16" = 4.75mm	
3/8" = 9.525mm		1/2" = 12.7mm	
1/2" = 12.7mm		3/4" = 19.05mm	
3/4" = 19.05mm		1" = 25.4mm	
1" = 25.4mm		1 1/4" = 31.75mm	
1 1/4" = 31.75mm		1 1/2" = 38.1mm	
1 1/2" = 38.1mm		1 3/4" = 44.45mm	
1 3/4" = 44.45mm		2" = 50.8mm	
2" = 50.8mm		2 1/4" = 60.325mm	
2 1/4" = 60.325mm		2 1/2" = 63.5mm	
2 1/2" = 63.5mm		2 3/4" = 68.775mm	
2 3/4" = 68.775mm		3" = 76.2mm	
3" = 76.2mm		3 1/4" = 86.375mm	
3 1/4" = 86.375mm		3 1/2" = 89.175mm	
3 1/2" = 89.175mm		3 3/4" = 95.25mm	
3 3/4" = 95.25mm		4" = 101.6mm	
4" = 101.6mm		4 1/4" = 111.775mm	
4 1/4" = 111.775mm		4 1/2" = 114.3mm	
4 1/2" = 114.3mm		4 3/4" = 120.675mm	
4 3/4" = 120.675mm		5" = 127mm	
5" = 127mm		5 1/4" = 138.125mm	
5 1/4" = 138.125mm		5 1/2" = 141.275mm	
5 1/2" = 141.275mm		5 3/4" = 146.025mm	
5 3/4" = 146.025mm		6" = 152.4mm	
6" = 152.4mm		6 1/4" = 162.725mm	
6 1/4" = 162.725mm		6 1/2" = 165.125mm	
6 1/2" = 165.125mm		6 3/4" = 171.475mm	
6 3/4" = 171.475mm		7" = 177.8mm	
7" = 177.8mm		7 1/4" = 188.125mm	
7 1/4" = 188.125mm		7 1/2" = 191.525mm	
7 1/2" = 191.525mm		7 3/4" = 197.175mm	
7 3/4" = 197.175mm		8" = 203.2mm	
8" = 203.2mm		8 1/4" = 213.625mm	
8 1/4" = 213.625mm		8 1/2" = 216.125mm	
8 1/2" = 216.125mm		8 3/4" = 221.775mm	
8 3/4" = 221.775mm		9" = 228.6mm	
9" = 228.6mm		9 1/4" = 238.925mm	
9 1/4" = 238.925mm		9 1/2" = 242.275mm	
9 1/2" = 242.275mm		9 3/4" = 248.025mm	
9 3/4" = 248.025mm		10" = 254mm	
10" = 254mm		10 1/4" = 264.325mm	
10 1/4" = 264.325mm		10 1/2" = 267.675mm	
10 1/2" = 267.675mm		10 3/4" = 273.325mm	
10 3/4" = 273.325mm		11" = 279.4mm	
11" = 279.4mm		11 1/4" = 289.725mm	
11 1/4" = 289.725mm		11 1/2" = 293.125mm	
11 1/2" = 293.125mm		11 3/4" = 298.775mm	
11 3/4" = 298.775mm		12" = 304.8mm	
12" = 304.8mm		12 1/4" = 315.125mm	
12 1/4" = 315.125mm		12 1/2" = 318.525mm	
12 1/2" = 318.525mm		12 3/4" = 324.175mm	
12 3/4" = 324.175mm		13" = 330.2mm	
13" = 330.2mm		13 1/4" = 340.525mm	
13 1/4" = 340.525mm		13 1/2" = 343.925mm	
13 1/2" = 343.925mm		13 3/4" = 349.575mm	
13 3/4" = 349.575mm		14" = 355.6mm	
14" = 355.6mm		14 1/4" = 365.925mm	
14 1/4" = 365.925mm		14 1/2" = 369.325mm	
14 1/2" = 369.325mm		14 3/4" = 374.975mm	
14 3/4" = 374.975mm		15" = 381mm	
15" = 381mm		15 1/4" = 391.325mm	
15 1/4" = 391.325mm		15 1/2" = 394.725mm	
15 1/2" = 394.725mm		15 3/4" = 400.375mm	
15 3/4" = 400.375mm		16" = 406.4mm	
16" = 406.4mm		16 1/4" = 416.725mm	
16 1/4" = 416.725mm		16 1/2" = 420.125mm	
16 1/2" = 420.125mm		16 3/4" = 425.775mm	
16 3/4" = 425.775mm		17" = 431.8mm	
17" = 431.8mm		17 1/4" = 442.125mm	
17 1/4" = 442.125mm		17 1/2" = 445.525mm	
17 1/2" = 445.525mm		17 3/4" = 451.175mm	
17 3/4" = 451.175mm		18" = 457.2mm	
18" = 457.2mm		18 1/4" = 467.525mm	
18 1/4" = 467.525mm		18 1/2" = 470.925mm	
18 1/2" = 470.925mm		18 3/4" = 476.575mm	
18 3/4" = 476.575mm		19" = 482.6mm	
19" = 482.6mm		19 1/4" = 492.925mm	
19 1/4" = 492.925mm		19 1/2" = 496.325mm	
19 1/2" = 496.325mm		19 3/4" = 501.975mm	
19 3/4" = 501.975mm		20" = 508mm	
20" = 508mm		20 1/4" = 518.325mm	
20 1/4" = 518.325mm		20 1/2" = 521.725mm	
20 1/2" = 521.725mm		20 3/4" = 527.375mm	
20 3/4" = 527.375mm		21" = 533.4mm	
21" = 533.4mm		21 1/4" = 543.725mm	
21 1/4" = 543.725mm		21 1/2" = 547.125mm	
21 1/2" = 547.125mm		21 3/4" = 552.775mm	
21 3/4" = 552.775mm		22" = 558.8mm	
22" = 558.8mm		22 1/4" = 569.125mm	
22 1/4" = 569.125mm		22 1/2" = 572.525mm	
22 1/2" = 572.525mm		22 3/4" = 578.175mm	
22 3/4" = 578.175mm		23" = 584.2mm	
23" = 584.2mm		23 1/4" = 594.525mm	
23 1/4" = 594.525mm		23 1/2" = 597.925mm	
23 1/2" = 597.925mm		23 3/4" = 603.575mm	
23 3/4" = 603.575mm		24" = 609.6mm	
24" = 609.6mm		24 1/4" = 619.925mm	
24 1/4" = 619.925mm		24 1/2" = 623.325mm	
24 1/2" = 623.325mm		24 3/4" = 628.975mm	
24 3/4" = 628.975mm		25" = 635mm	
25" = 635mm		25 1/4" = 645.325mm	
25 1/4" = 645.325mm		25 1/2" = 648.725mm	
25 1/2" = 648.725mm		25 3/4" = 654.375mm	
25 3/4" = 654.375mm		26" = 660.4mm	
26" = 660.4mm		26 1/4" = 670.725mm	
26 1/4" = 670.725mm		26 1/2" = 674.125mm	
26 1/2" = 674.125mm		26 3/4" = 679.775mm	
26 3/4" = 679.775mm		27" = 685.8mm	
27" = 685.8mm		27 1/4" = 696.125mm	
27 1/4" = 696.125mm		27 1/2" = 700.525mm	
27 1/2" = 700.525mm		27 3/4" = 706.175mm	
27 3/4" = 706.175mm		28" = 712.2mm	
28" = 712.2mm		28 1/4" = 722.525mm	
28 1/4" = 722.525mm		28 1/2" = 725.925mm	
28 1/2" = 725.925mm		28 3/4" = 731.575mm	
28 3/4" = 731.575mm		29" = 737.6mm	
29" = 737.6mm		29 1/4" = 747.925mm	
29 1/4" = 747.925mm		29 1/2" = 751.325mm	
29 1/2" = 751.325mm		29 3/4" = 756.975mm	
29 3/4" = 756.975mm		30" = 763mm	