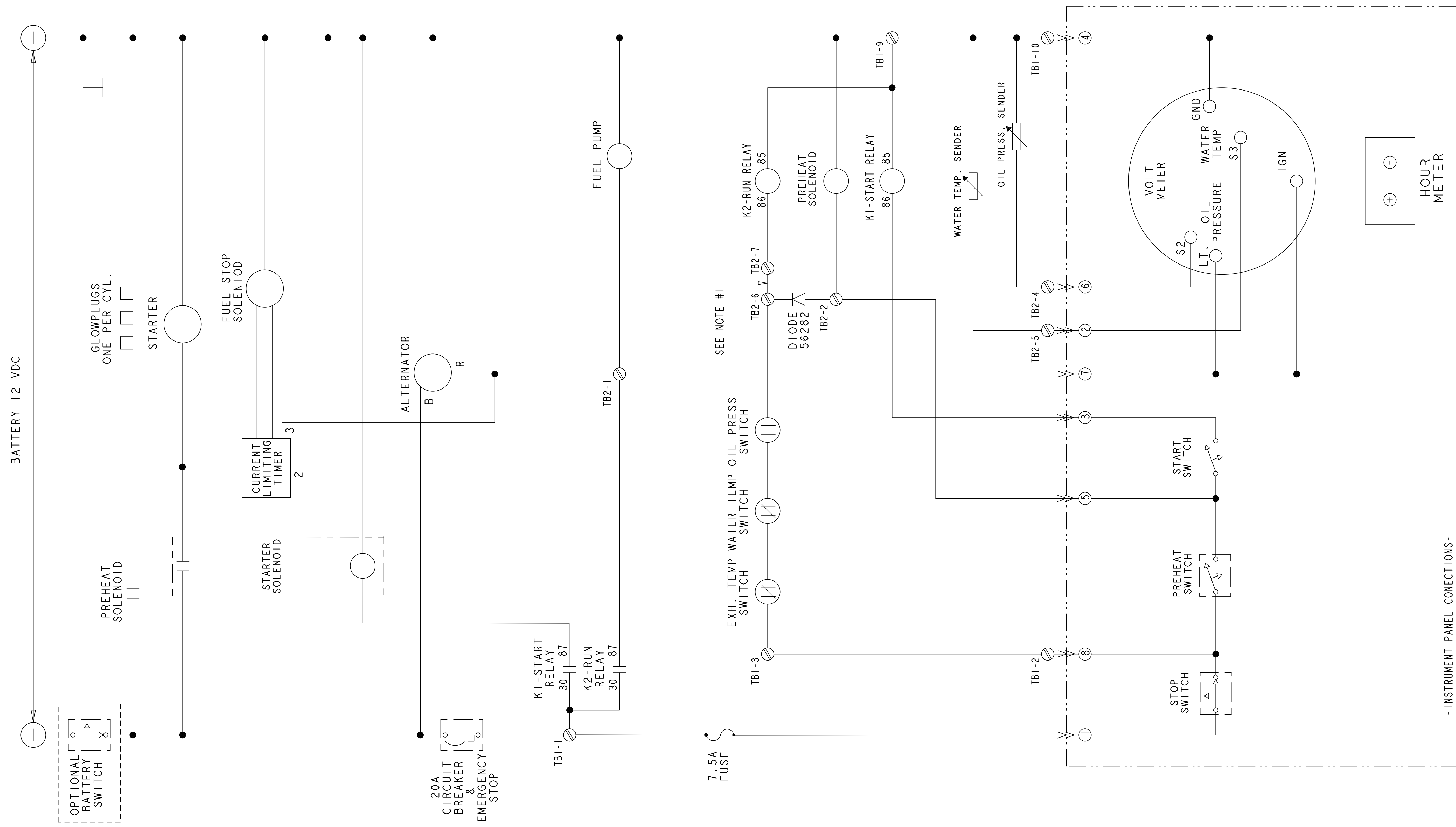


NOTES:
 1. NORMALLY CLOSED FIRE SUPPRESSION SYSTEM CONNECTION. REMOVE JUMPER

- 56371 - HARNESS, GENSET 30.0 EGT DSL
- 56372 - HARNESS, GEN PNL EGT DSL
- 56405 - HARNESS, GEN PNL 5.5, 8-15 EG
- 56240 - HARNESS, INSTR PNL EG DSL
- 15223 - JUMPER, TERMINAL BLOCK 20 AMP

TOLERANCES (UNLESS OTHERWISE NOTED)		TITLE	
INCHES	MILLIMETERS	DGGENSET 29.0 EGED	
.XX	.X		
.XXX	.XX		
CAST	.XX		
ANGLES			
FINISH			
DIMENSIONS		DRAWN BY	DATE
INCHES		JAS	10-Aug-16
MILLIMETERS		APPROVED BY	DATE
(WHEN APPLICABLE)		SCALE	DRAWING NUMBER
		SHT. 1 OF 3	56375

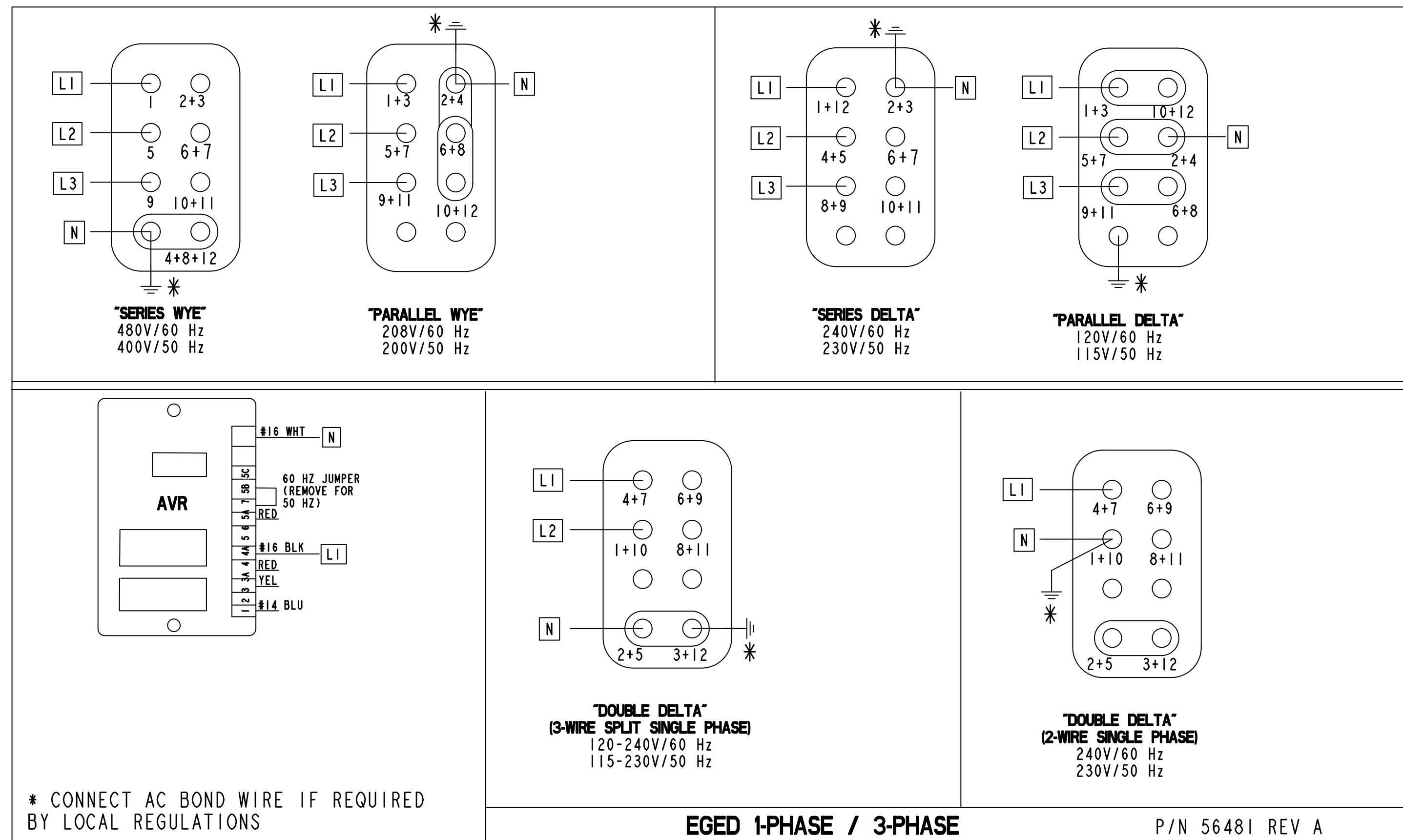




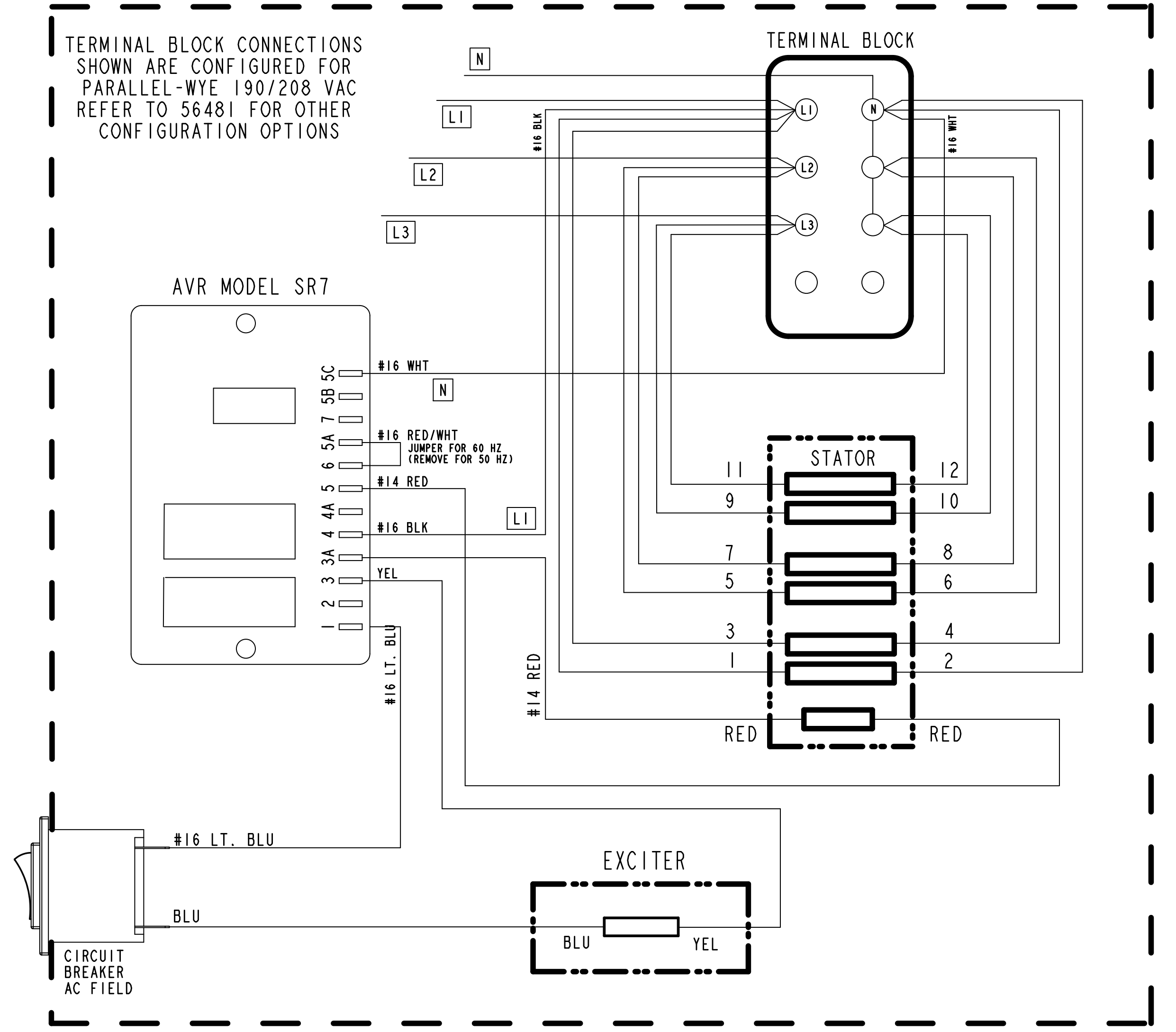
NOTES:
 1. NORMALLY CLOSED FIRE SUPPRESSION SYSTEM CONNECTION. REMOVE JUMPER
 ○ INSTRUMENT PANEL CONNECTOR PINS

TOLERANCES (UNLESS OTHERWISE NOTED)			
INCHES	MILLIMETERS		
.XX	: .02	X.	± 1.0
.XXX	: .005	.X	± .5
CAST	: .03	.XX	± .13
ANGLES	: .5°		
FINISH	: #3		
DIMENSIONS ← INCHES → ← MILLIMETERS → (WHEN APPLICABLE)		TITLE DGGENSET WIRE 29.0 EGED	
DRAWN BY JAS		DATE 10-Aug-16	
APPROVED BY		MATERIAL:	
SCALE DRAWING SCALE		SIZE DRAWING NUMBER	
SHT. 2 OF 3		REV. -	
D		56375	

AC WIRING LABEL (56481)



CONTROL BOX (AC)



TOLERANCES (UNLESS OTHERWISE NOTED)		WESTERBEKE	
INCHES	MILLIMETERS	TITLE DGGENSET WIRE 29.0 EGED	
.XX	± .02	X.	± 1.0
.XXX	± .005	.X	± .5
CAST	± .03	.XX	± .13
ANGLES	± .5°	DRAWN BY JAS DATE 20/Oct/16 MATERIAL:	
FINISH	± .5°	APPROVED BY DATE	
DIMENSIONS		SCALE DRAWING SCALE	SIZE DRAWING NUMBER
INCHES MILLIMETERS		SHT. 3 OF 3	D 56375
(WHEN APPLICABLE)			REV. -