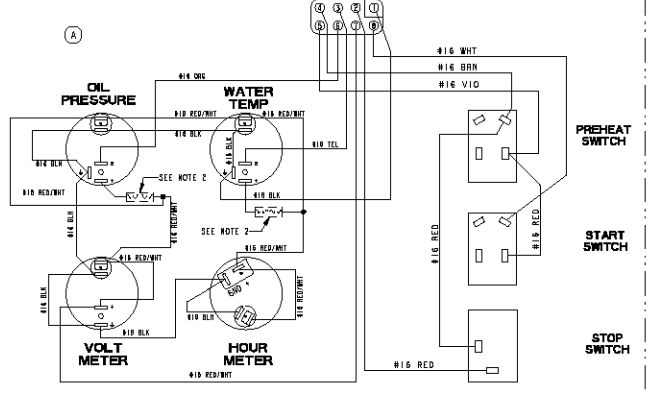
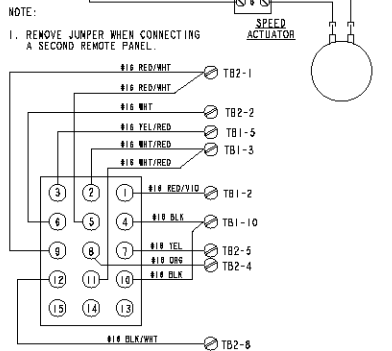
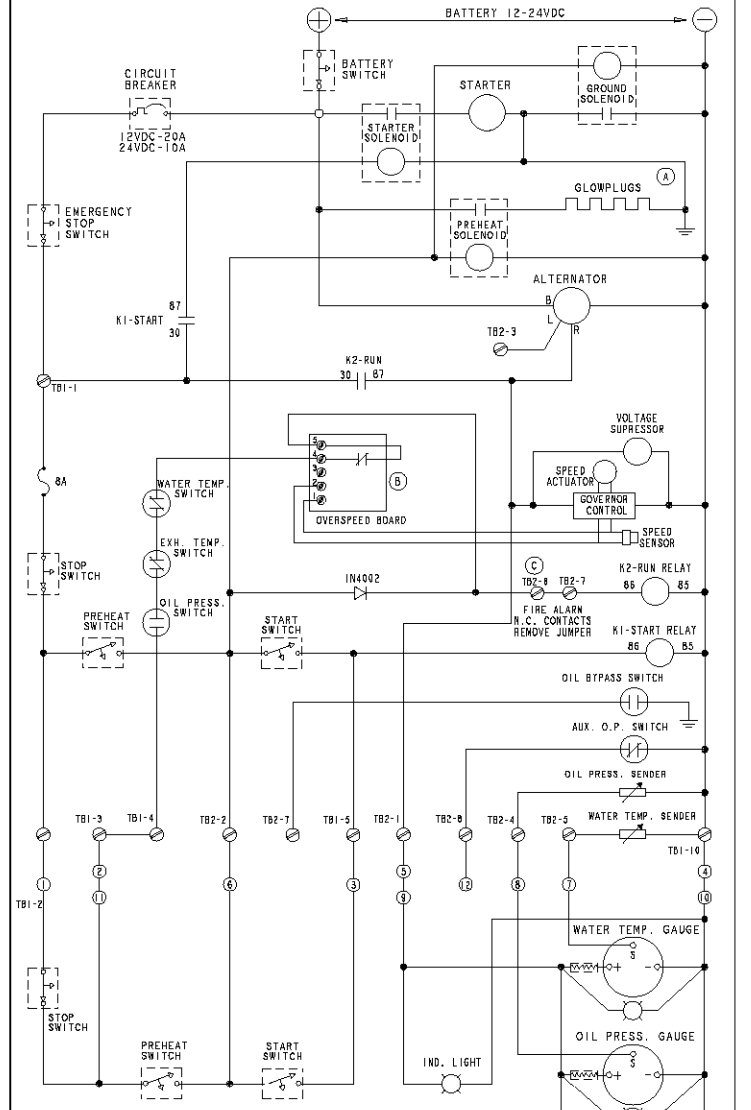
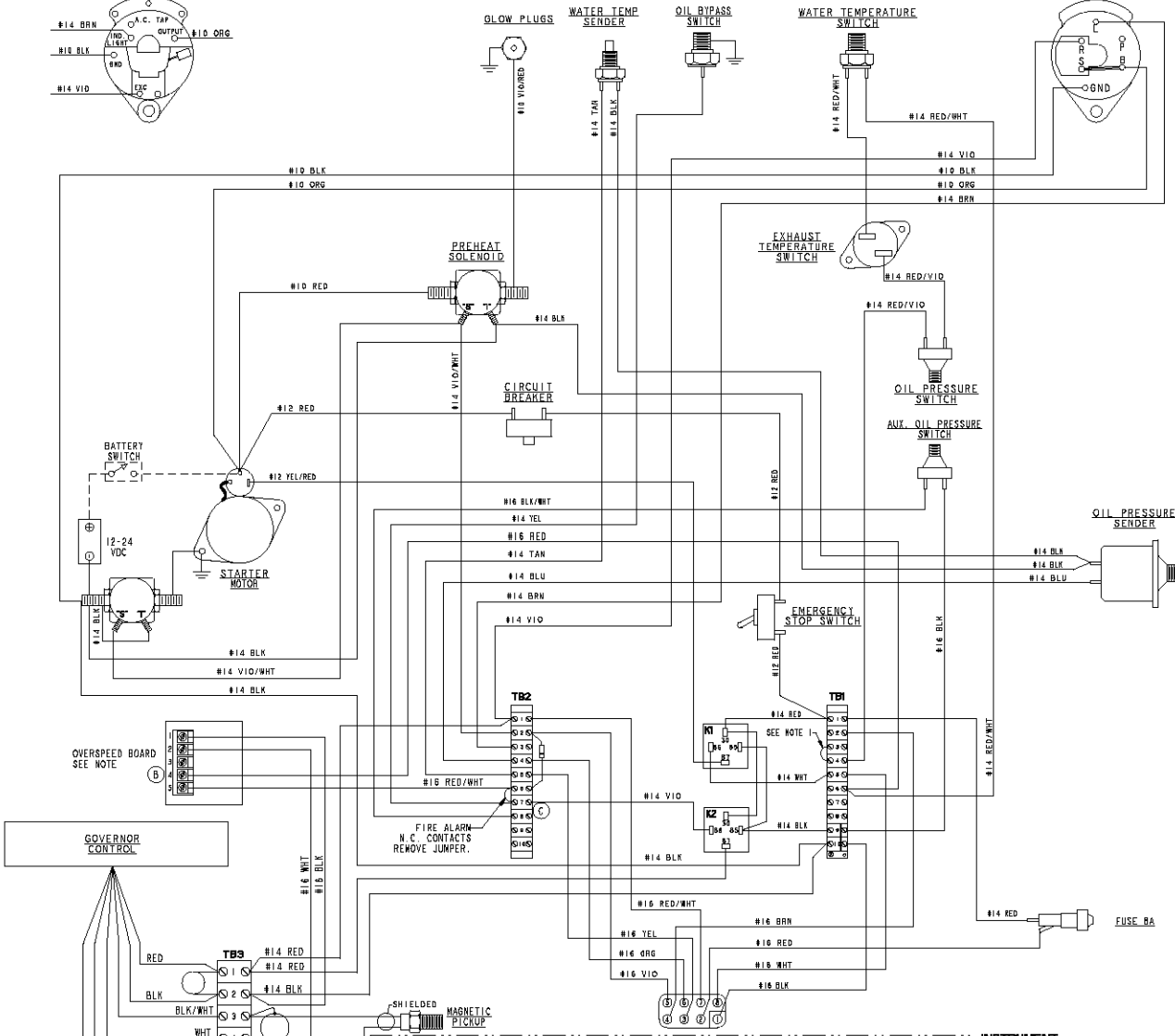


ALTERNATOR 24V 42A

ALTERNATOR 12V 51A

ECO NO.	DATE	REV.	REVISION	AUTH.	DR.
5121	11/74	A	GAGES CHANGED, REWIRED INSTRUMENT PANEL CORRECTED SCHEMATIC		JRS
5767	6/22	B	ADD OVERPEED BOARD		GA
5861	11/72	C	ADDED JUMPER BETWEEN TB2-8B; 12-66 WAS CONNECTED TO TB2-1.		GA



TYPICAL REMOTE START/STOP PANEL CONNECTIONS

NOTE:

- 1. REMOTE CONNECTOR PINS
- 2. FOR 24 VOLT SYSTEM, USE 150Ω RESISTOR AS SHOWN.
- 3. JUMPER SETTING:  
 J1 OPEN - 50ΩZ  
 J2 CLOSE - 50ΩZ  
 J3 OPEN - 5-15ΩW  
 J4 CLOSE - 20-95ΩW

TOLERANCES UNLESS OTHERWISE NOTED		WESTERBEKE CORPORATION AVON, MA, 02322	
DRAWN	REVISED	ISSUE	DATE
CHECKED	APPROVED	BY	DATE
BY NAME (OR)		BY NAME	DATE
SCALE	SIZE	QUANTITY	REV.
TYPED APPROVAL		APP. OF: <b>E 45673</b>	