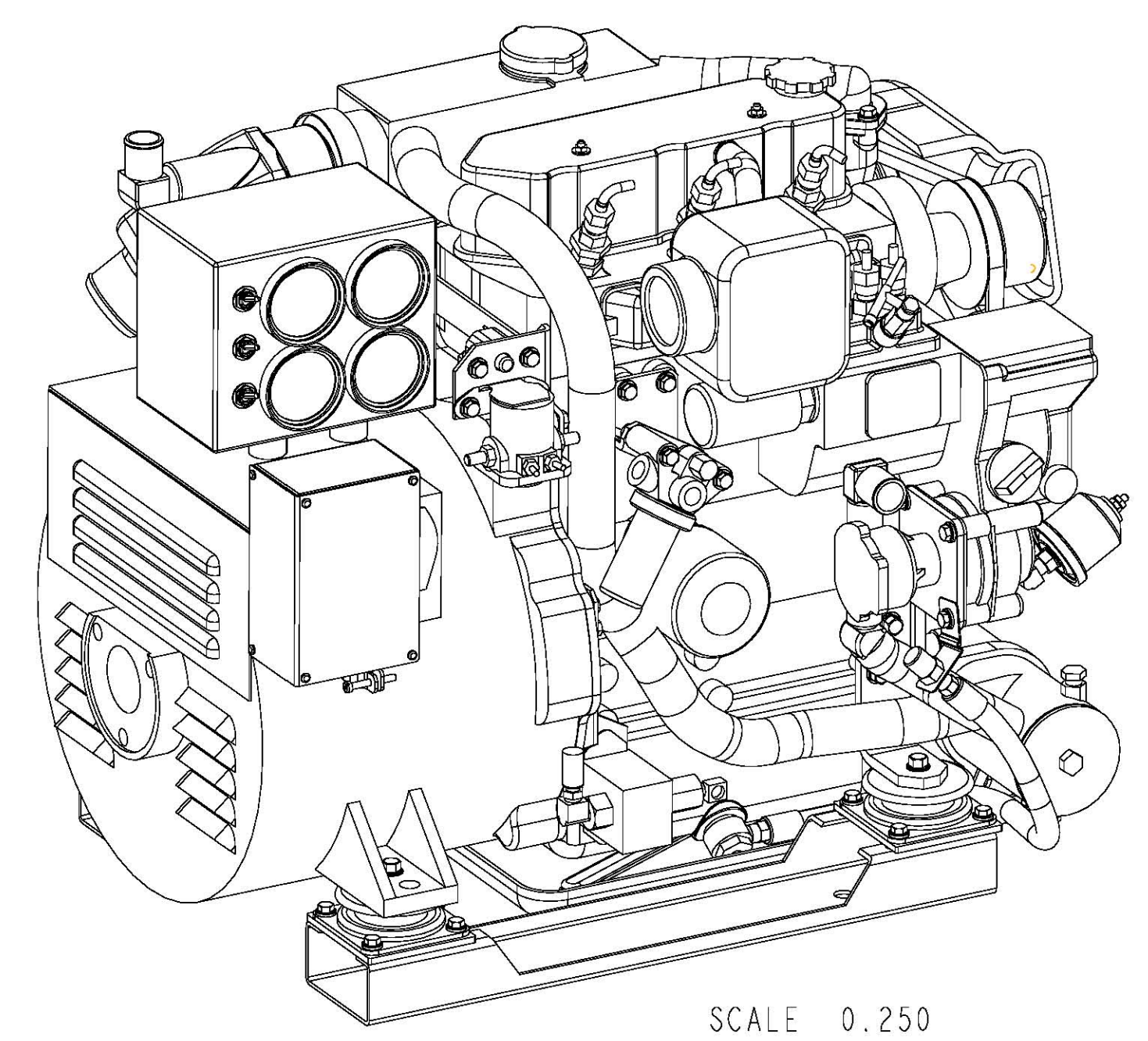
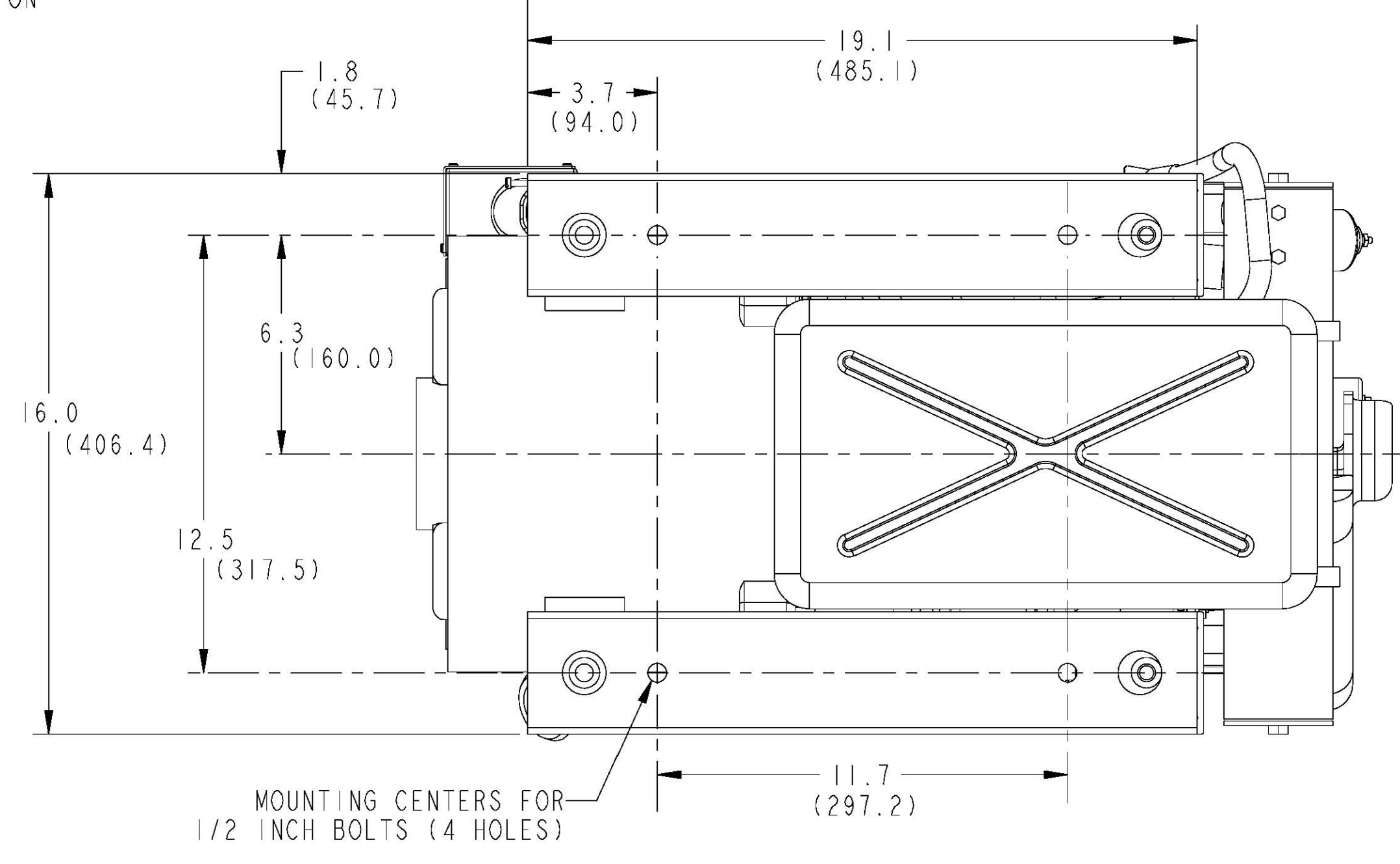
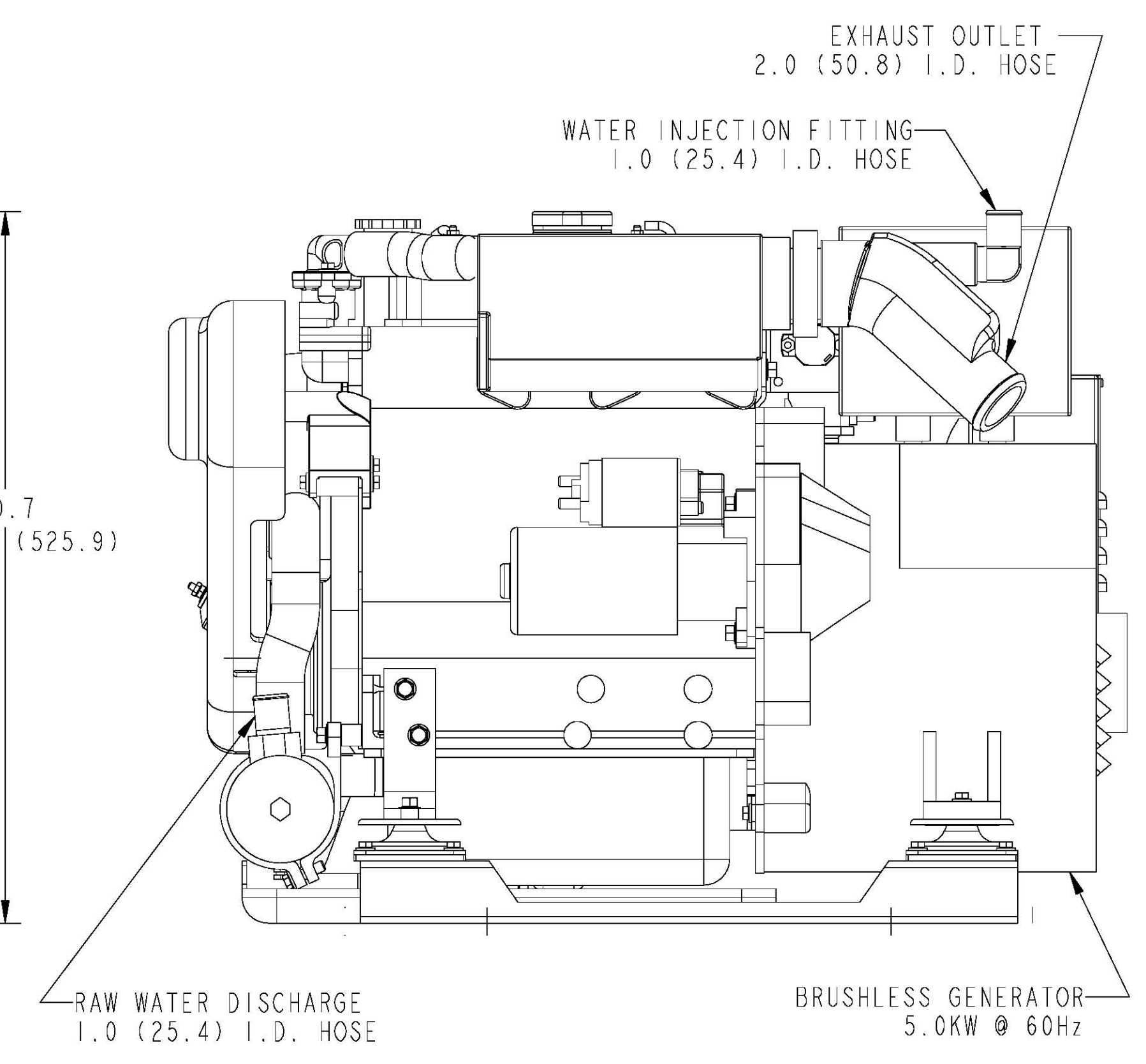
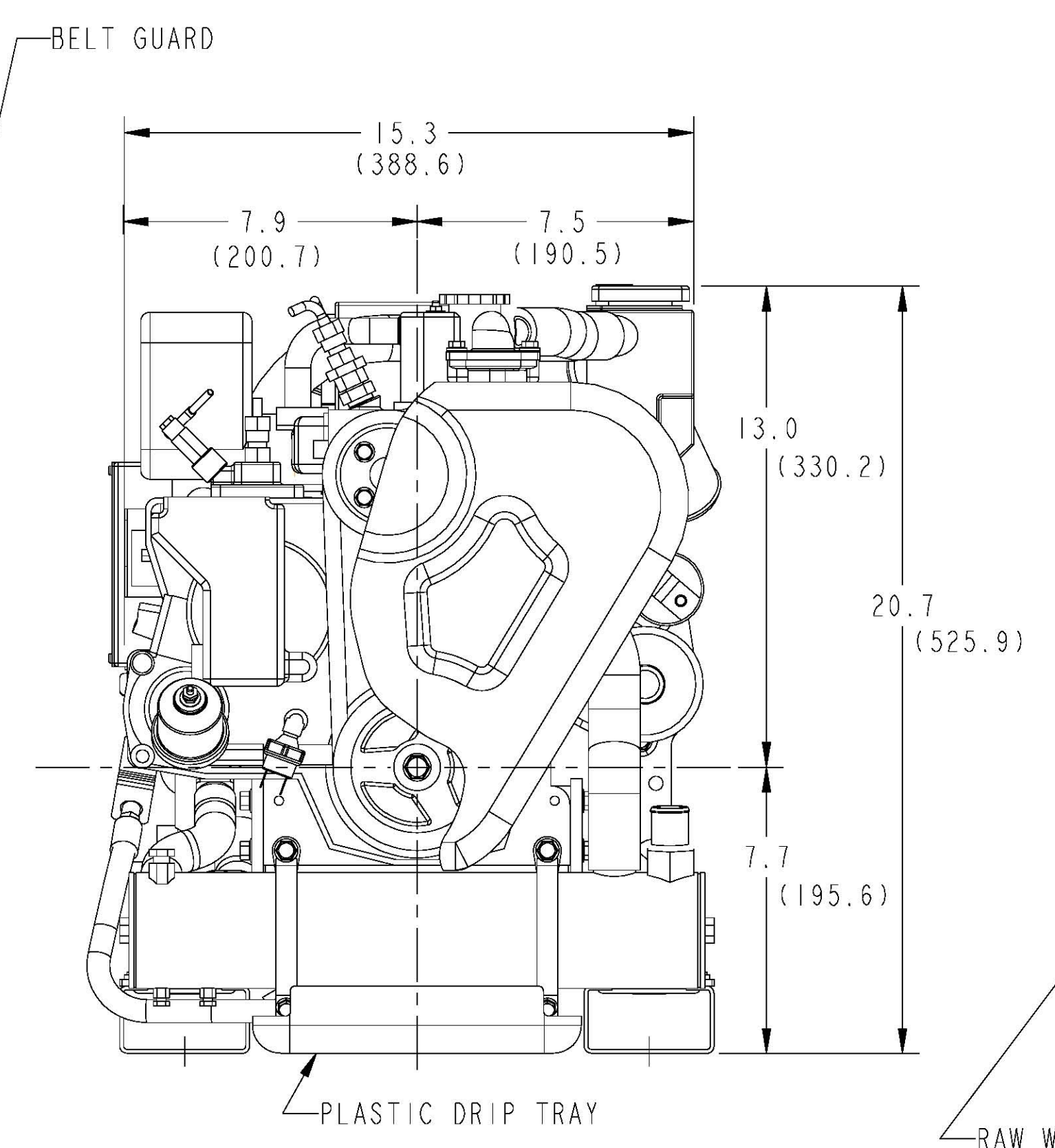
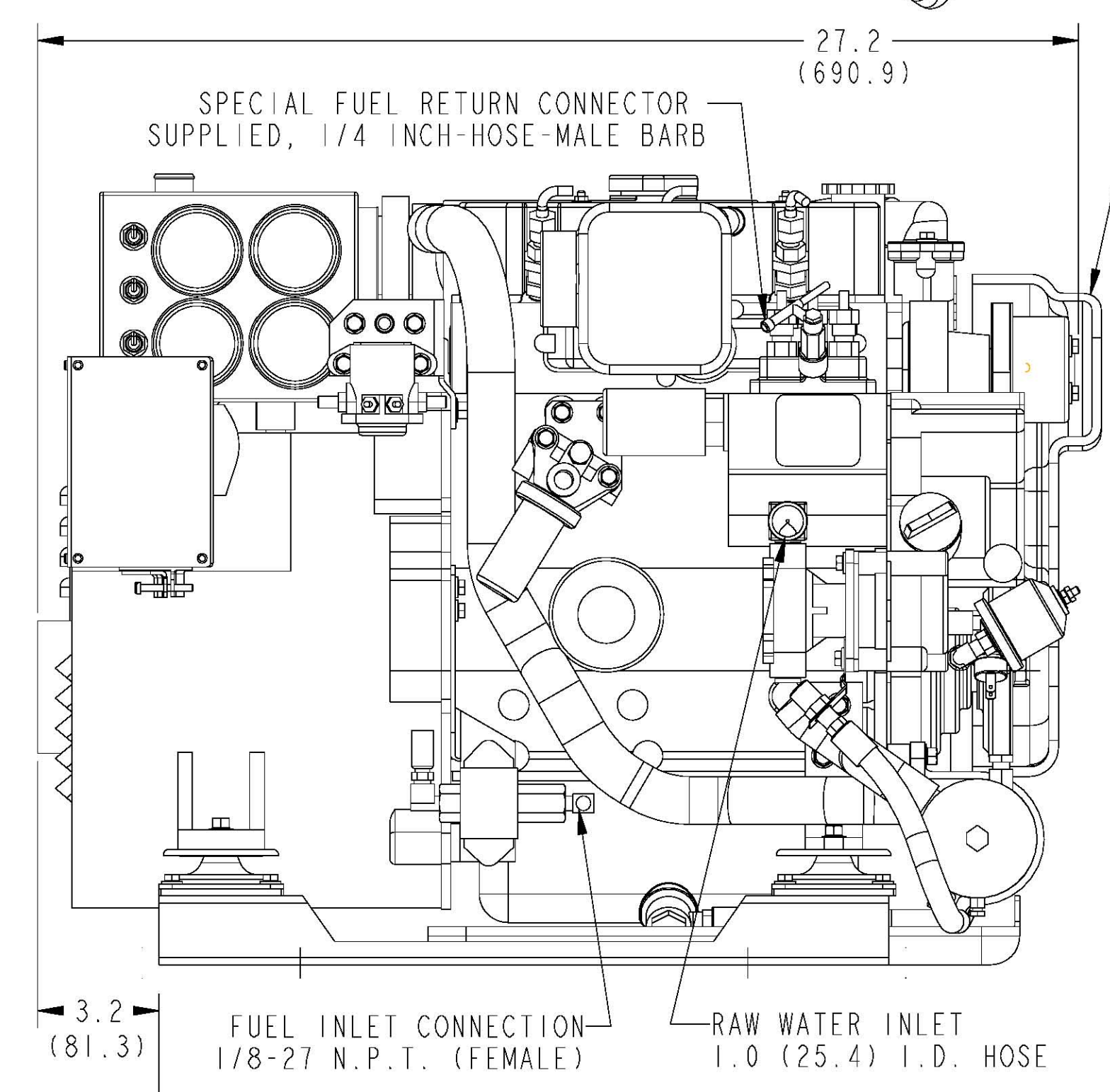
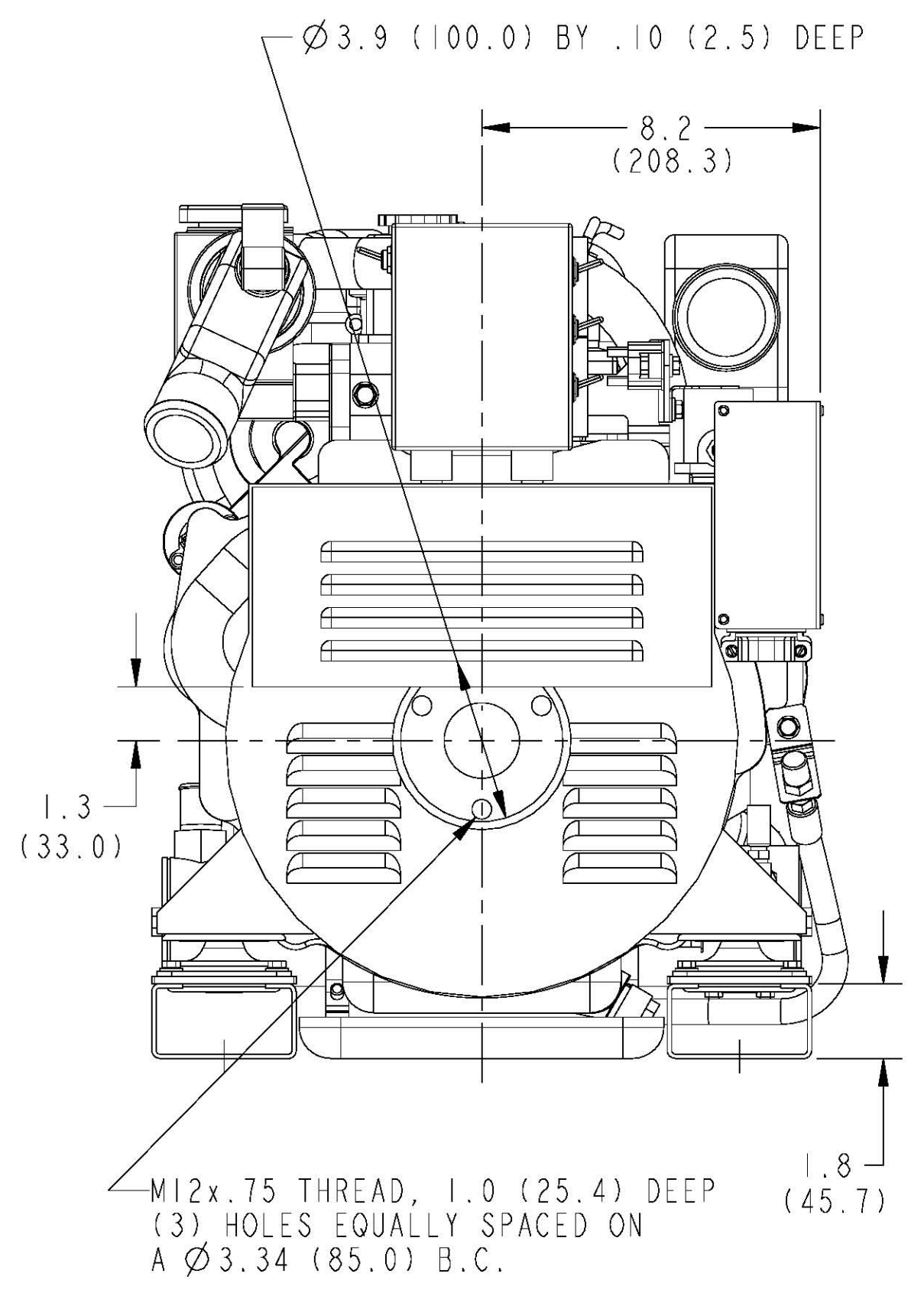
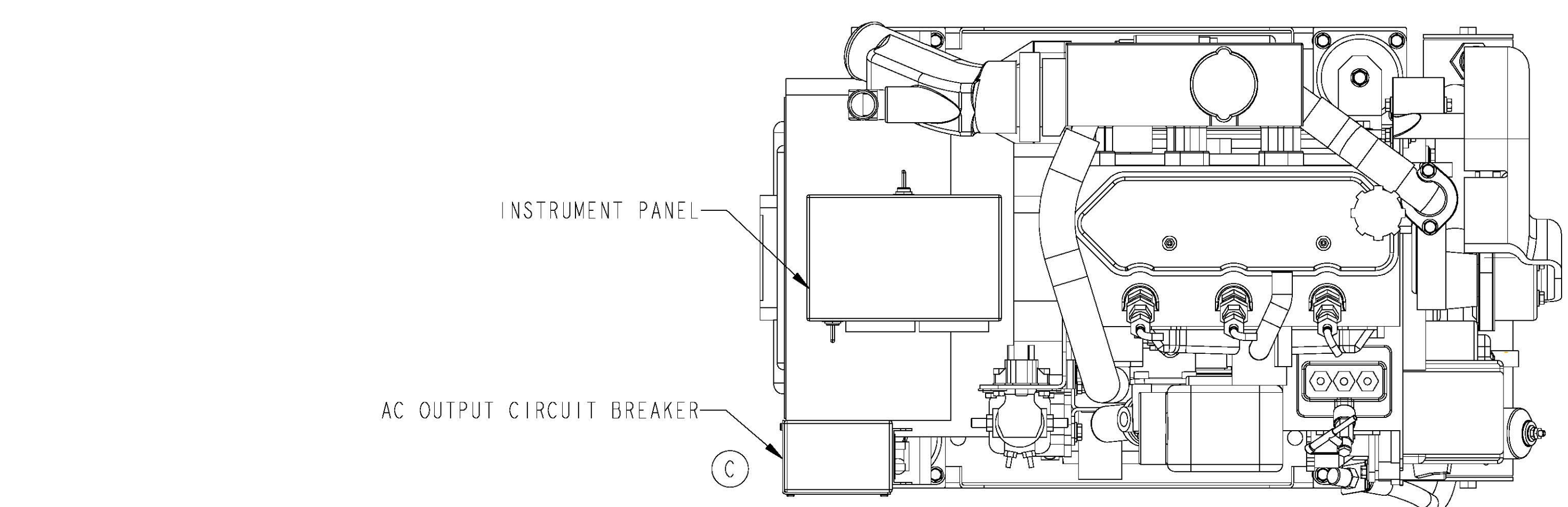


ECO NO.	DATE	REV.	REVISION RECORD	AUTH.	DR. BY
3789	7-7 1998	A	REVISED AND REDRAWN		JM
3978	2-8 1999	B	RAIL LENGTH 19.1 WAS 21.1 MOUNTING CENTERS CHANGED FROM (8) TO (4)		JM
4322	11-30 1999	C	REVISED BREAKER BOX MOUNTING		JM



TOLERANCES (UNLESS OTHERWISE NOTED)		WESTERBEKE CORPORATION AVON MA. 02322	
INCHES	MILLIMETERS	TITLE	
.XX : .02	.X :	INSTALLATION DRAWING	
.XXX : .005	.X :	5 KW. BCDB	
CAST : .03	.XX :		
ANGLES : .5°			
FINISH :			
DIMENSIONS		DRAWN BY	DATE
INCHES		JU	12-16-88
MILLIMETERS		APPROVED BY	DATE
(WHEN APPLICABLE)			
SCALE	SIZE	DRAWING NUMBER	REV.
9/32	D	38060	C
SHT. 1 OF 1			