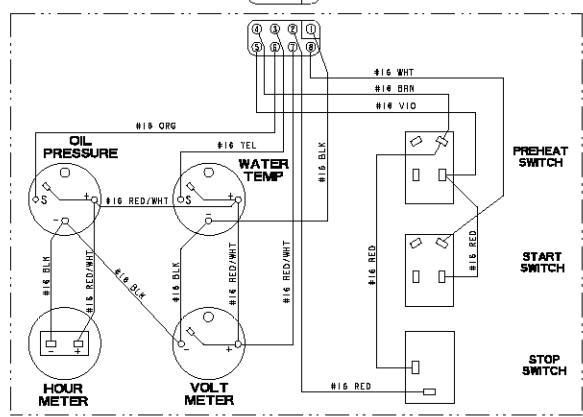
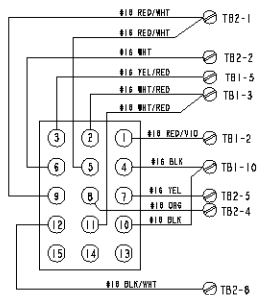
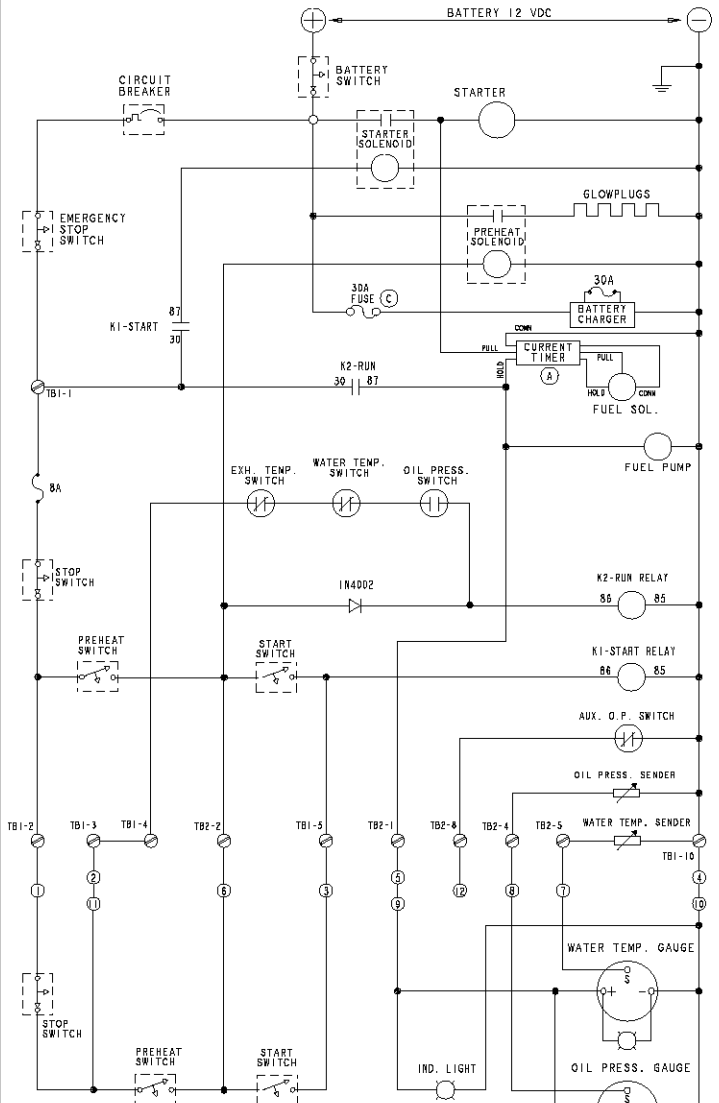


NOTE:  
1. REMOVE JUMPER WHEN CONNECTING A SECOND REMOTE PANEL.



**INSTRUMENT PANEL**



**-TYPICAL REMOTE START/STOP PANEL CONNECTIONS-**

NOTE:  
○ REMOTE CONNECTOR PINS

ECO NO.	DATE	REV.	REVISION RECORD	AUTH.	DR.	BT																																																																																																																																								
<table border="1"> <tr> <th colspan="2">TOLERANCES</th> <th colspan="2">WESTERBEKE CORPORATION</th> </tr> <tr> <td colspan="2">UNLESS OTHERWISE NOTED</td> <td colspan="2">AVON, MA. 02322</td> </tr> <tr> <td>INCHES</td> <td>MILLIMETERS</td> <td colspan="2">WIRING DIAGRAM/SCHEMATIC</td> </tr> <tr> <td>±.001</td> <td>±.025</td> <td colspan="2">4.0 BCD - 5.0 BCD - SRC (D)</td> </tr> <tr> <td>±.005</td> <td>±.125</td> <td>DATE</td> <td>SIZE</td> </tr> <tr> <td>±.010</td> <td>±.250</td> <td>APP'D BY</td> <td>SCALE</td> </tr> <tr> <td>±.015</td> <td>±.375</td> <td>DATE</td> <td>REVISION</td> </tr> <tr> <td>±.030</td> <td>±.750</td> <td>BY</td> <td>NO.</td> </tr> <tr> <td>±.060</td> <td>±.150</td> <td>DATE</td> <td>REVISION</td> </tr> <tr> <td>±.125</td> <td>±.300</td> <td>BY</td> <td>NO.</td> </tr> <tr> <td>±.250</td> <td>±.600</td> <td>DATE</td> <td>REVISION</td> </tr> <tr> <td>±.500</td> <td>±.125</td> <td>BY</td> <td>NO.</td> </tr> <tr> <td>±.750</td> <td>±.188</td> <td>DATE</td> <td>REVISION</td> </tr> <tr> <td>±1.000</td> <td>±.250</td> <td>BY</td> <td>NO.</td> </tr> <tr> <td>±1.500</td> <td>±.375</td> <td>DATE</td> <td>REVISION</td> </tr> <tr> <td>±2.000</td> <td>±.500</td> <td>BY</td> <td>NO.</td> </tr> <tr> <td>±3.000</td> <td>±.750</td> <td>DATE</td> <td>REVISION</td> </tr> <tr> <td>±4.000</td> <td>±.100</td> <td>BY</td> <td>NO.</td> </tr> <tr> <td>±5.000</td> <td>±.150</td> <td>DATE</td> <td>REVISION</td> </tr> <tr> <td>±6.000</td> <td>±.200</td> <td>BY</td> <td>NO.</td> </tr> <tr> <td>±7.000</td> <td>±.250</td> <td>DATE</td> <td>REVISION</td> </tr> <tr> <td>±8.000</td> <td>±.300</td> <td>BY</td> <td>NO.</td> </tr> <tr> <td>±9.000</td> <td>±.350</td> <td>DATE</td> <td>REVISION</td> </tr> <tr> <td>±10.000</td> <td>±.400</td> <td>BY</td> <td>NO.</td> </tr> <tr> <td>±11.000</td> <td>±.450</td> <td>DATE</td> <td>REVISION</td> </tr> <tr> <td>±12.000</td> <td>±.500</td> <td>BY</td> <td>NO.</td> </tr> <tr> <td>±13.000</td> <td>±.550</td> <td>DATE</td> <td>REVISION</td> </tr> <tr> <td>±14.000</td> <td>±.600</td> <td>BY</td> <td>NO.</td> </tr> <tr> <td>±15.000</td> <td>±.650</td> <td>DATE</td> <td>REVISION</td> </tr> <tr> <td>±16.000</td> <td>±.700</td> <td>BY</td> <td>NO.</td> </tr> <tr> <td>±17.000</td> <td>±.750</td> <td>DATE</td> <td>REVISION</td> </tr> <tr> <td>±18.000</td> <td>±.800</td> <td>BY</td> <td>NO.</td> </tr> <tr> <td>±19.000</td> <td>±.850</td> <td>DATE</td> <td>REVISION</td> </tr> <tr> <td>±20.000</td> <td>±.900</td> <td>BY</td> <td>NO.</td> </tr> </table>							TOLERANCES		WESTERBEKE CORPORATION		UNLESS OTHERWISE NOTED		AVON, MA. 02322		INCHES	MILLIMETERS	WIRING DIAGRAM/SCHEMATIC		±.001	±.025	4.0 BCD - 5.0 BCD - SRC (D)		±.005	±.125	DATE	SIZE	±.010	±.250	APP'D BY	SCALE	±.015	±.375	DATE	REVISION	±.030	±.750	BY	NO.	±.060	±.150	DATE	REVISION	±.125	±.300	BY	NO.	±.250	±.600	DATE	REVISION	±.500	±.125	BY	NO.	±.750	±.188	DATE	REVISION	±1.000	±.250	BY	NO.	±1.500	±.375	DATE	REVISION	±2.000	±.500	BY	NO.	±3.000	±.750	DATE	REVISION	±4.000	±.100	BY	NO.	±5.000	±.150	DATE	REVISION	±6.000	±.200	BY	NO.	±7.000	±.250	DATE	REVISION	±8.000	±.300	BY	NO.	±9.000	±.350	DATE	REVISION	±10.000	±.400	BY	NO.	±11.000	±.450	DATE	REVISION	±12.000	±.500	BY	NO.	±13.000	±.550	DATE	REVISION	±14.000	±.600	BY	NO.	±15.000	±.650	DATE	REVISION	±16.000	±.700	BY	NO.	±17.000	±.750	DATE	REVISION	±18.000	±.800	BY	NO.	±19.000	±.850	DATE	REVISION	±20.000	±.900	BY	NO.
TOLERANCES		WESTERBEKE CORPORATION																																																																																																																																												
UNLESS OTHERWISE NOTED		AVON, MA. 02322																																																																																																																																												
INCHES	MILLIMETERS	WIRING DIAGRAM/SCHEMATIC																																																																																																																																												
±.001	±.025	4.0 BCD - 5.0 BCD - SRC (D)																																																																																																																																												
±.005	±.125	DATE	SIZE																																																																																																																																											
±.010	±.250	APP'D BY	SCALE																																																																																																																																											
±.015	±.375	DATE	REVISION																																																																																																																																											
±.030	±.750	BY	NO.																																																																																																																																											
±.060	±.150	DATE	REVISION																																																																																																																																											
±.125	±.300	BY	NO.																																																																																																																																											
±.250	±.600	DATE	REVISION																																																																																																																																											
±.500	±.125	BY	NO.																																																																																																																																											
±.750	±.188	DATE	REVISION																																																																																																																																											
±1.000	±.250	BY	NO.																																																																																																																																											
±1.500	±.375	DATE	REVISION																																																																																																																																											
±2.000	±.500	BY	NO.																																																																																																																																											
±3.000	±.750	DATE	REVISION																																																																																																																																											
±4.000	±.100	BY	NO.																																																																																																																																											
±5.000	±.150	DATE	REVISION																																																																																																																																											
±6.000	±.200	BY	NO.																																																																																																																																											
±7.000	±.250	DATE	REVISION																																																																																																																																											
±8.000	±.300	BY	NO.																																																																																																																																											
±9.000	±.350	DATE	REVISION																																																																																																																																											
±10.000	±.400	BY	NO.																																																																																																																																											
±11.000	±.450	DATE	REVISION																																																																																																																																											
±12.000	±.500	BY	NO.																																																																																																																																											
±13.000	±.550	DATE	REVISION																																																																																																																																											
±14.000	±.600	BY	NO.																																																																																																																																											
±15.000	±.650	DATE	REVISION																																																																																																																																											
±16.000	±.700	BY	NO.																																																																																																																																											
±17.000	±.750	DATE	REVISION																																																																																																																																											
±18.000	±.800	BY	NO.																																																																																																																																											
±19.000	±.850	DATE	REVISION																																																																																																																																											
±20.000	±.900	BY	NO.																																																																																																																																											