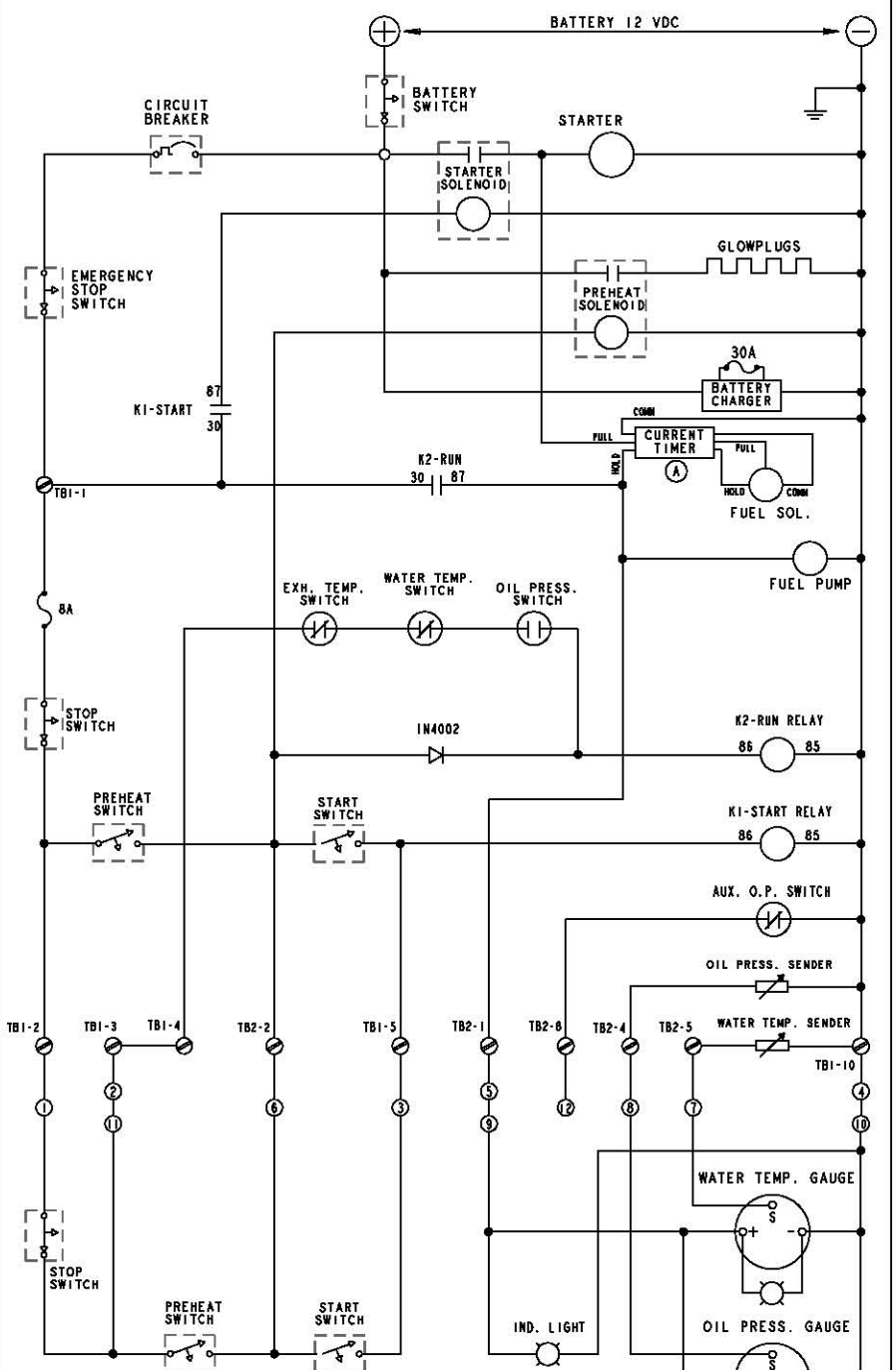
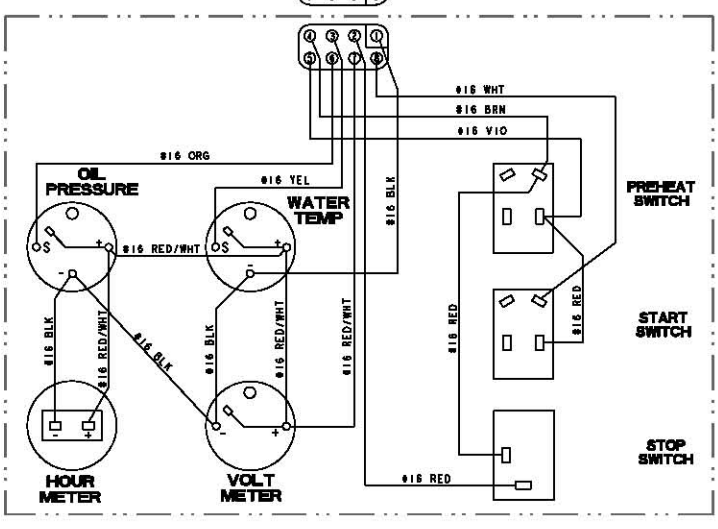
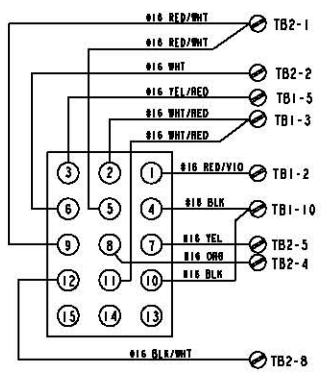


NOTE:
1. REMOVE JUMPER WHEN CONNECTING A SECOND REMOTE PANEL.



NOTE:
○ REMOTE CONNECTOR PINS

ECO NO.	DATE	REV.	REVISION RECORD	AUTH.	DR.	BY

5340	2	B	ADDED 4.0 BCD TO TITLE, 25A WAS 20A.	TSM
5082	1	A	ADDED CURRENT TIMER	TSM

TOLERANCES		WESTERBEKE CORPORATION AVON MA. 02322	
INCHES	MILLIMETERS	TITLE	
AS SHOWN	AS SHOWN	WIRING DIAGRAM/SCHEMATIC, 4.0 BCD - 5.0 BCD - SRC	
UNLESS OTHERWISE SPECIFIED		DATE	REV.
		8/21/90	1
SCALE	NONE	DATE	REV.
DRAWN BY		CHECKED BY	
NONE		NONE	
DATE		DATE	
PAGE 1 OF 1		44732	