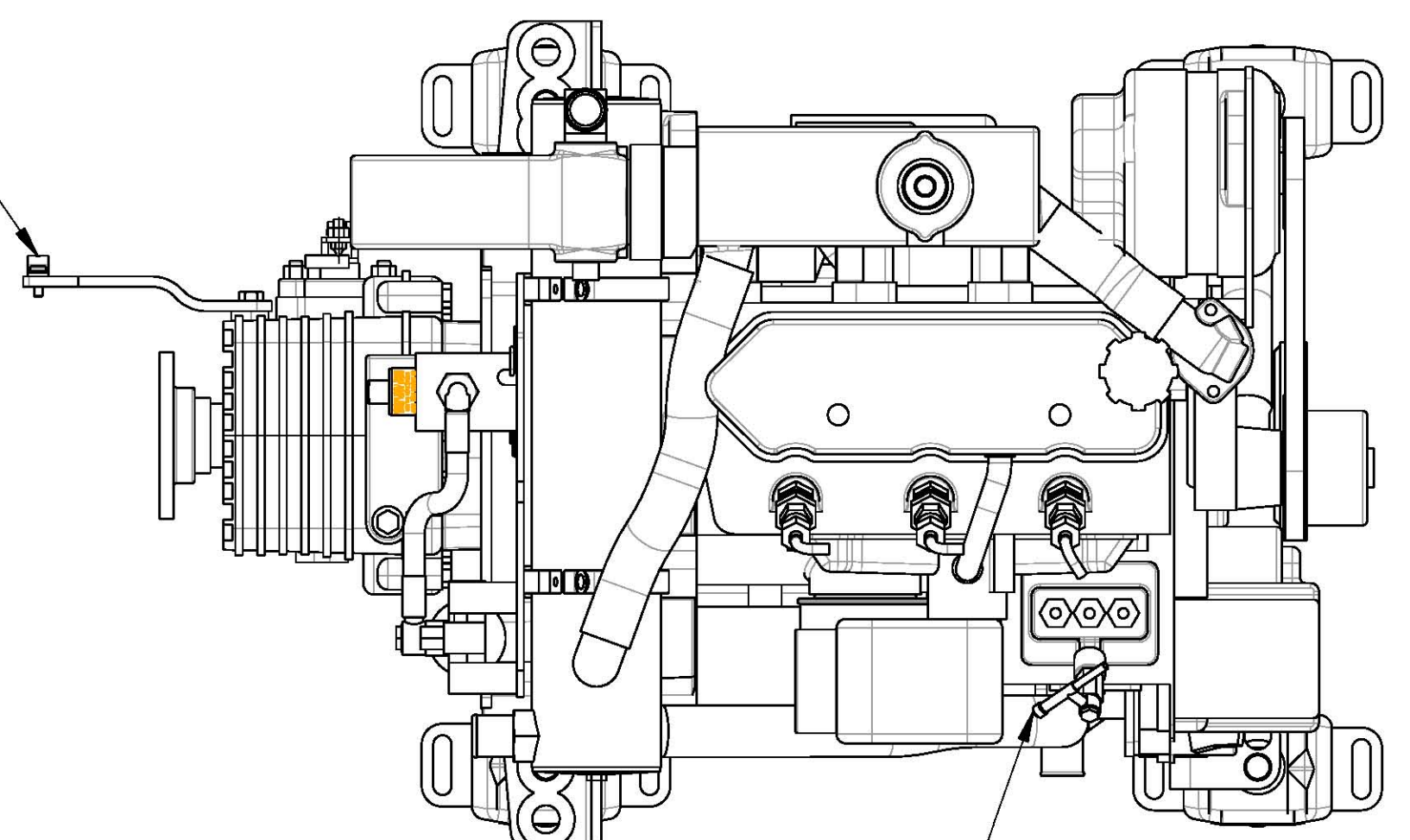


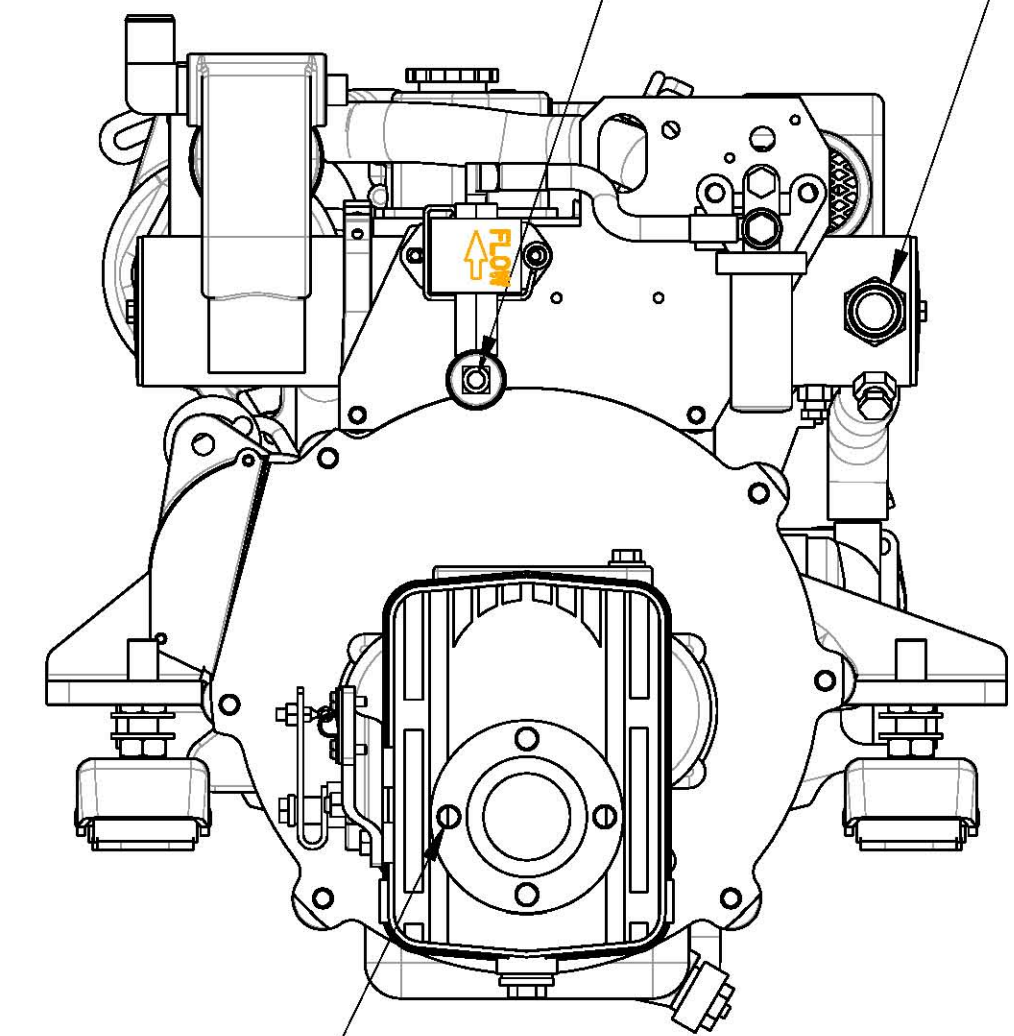
CLAMP FOR 33C CABLE OR EQUIVALENT



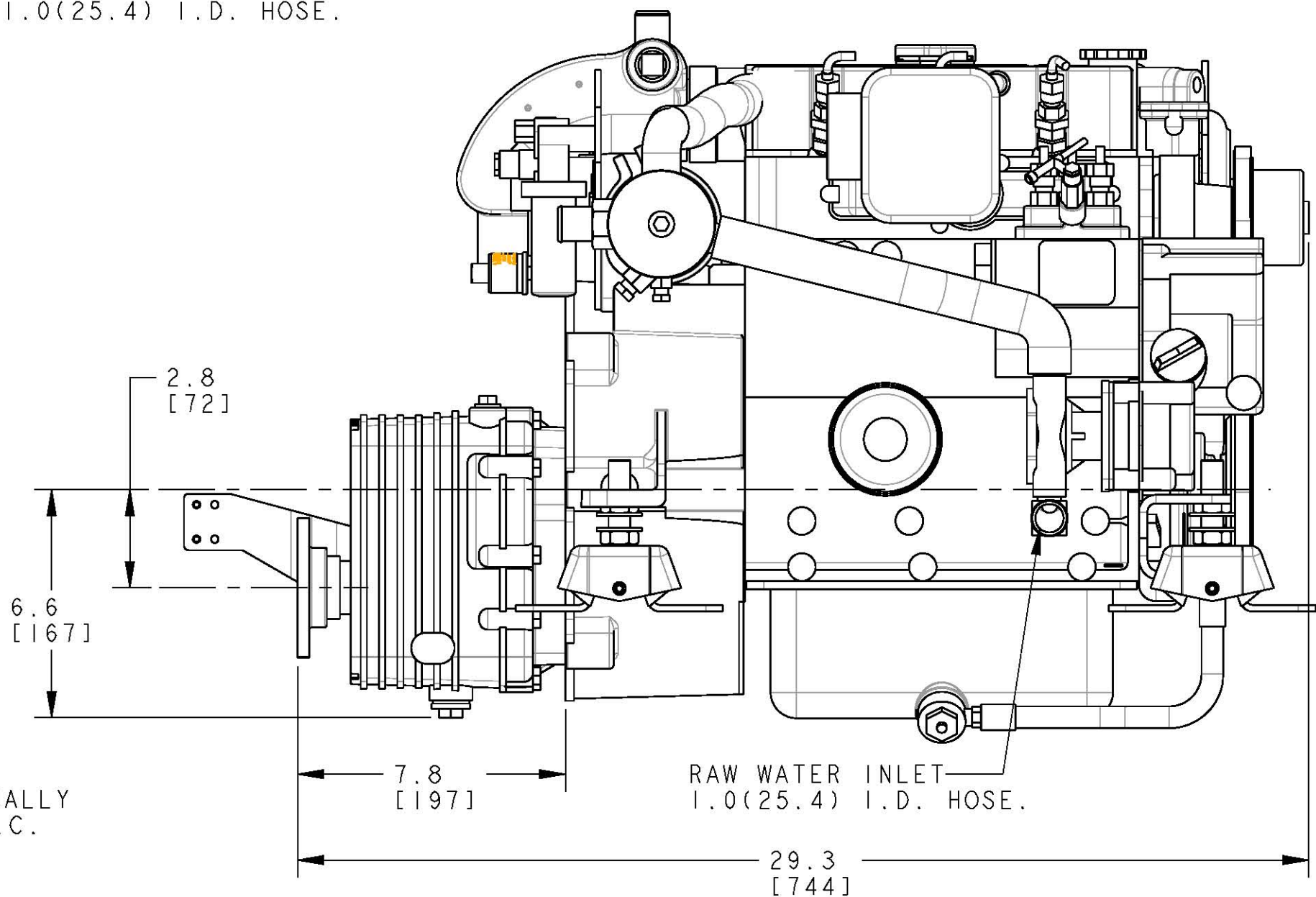
SPECIAL FUEL RETURN CONNECTION SUPPLIED 1/4 INCH-HOSE-MALE BARB.

FUEL INLET CONNECTION 1/8-27NPT. (FEMALE)

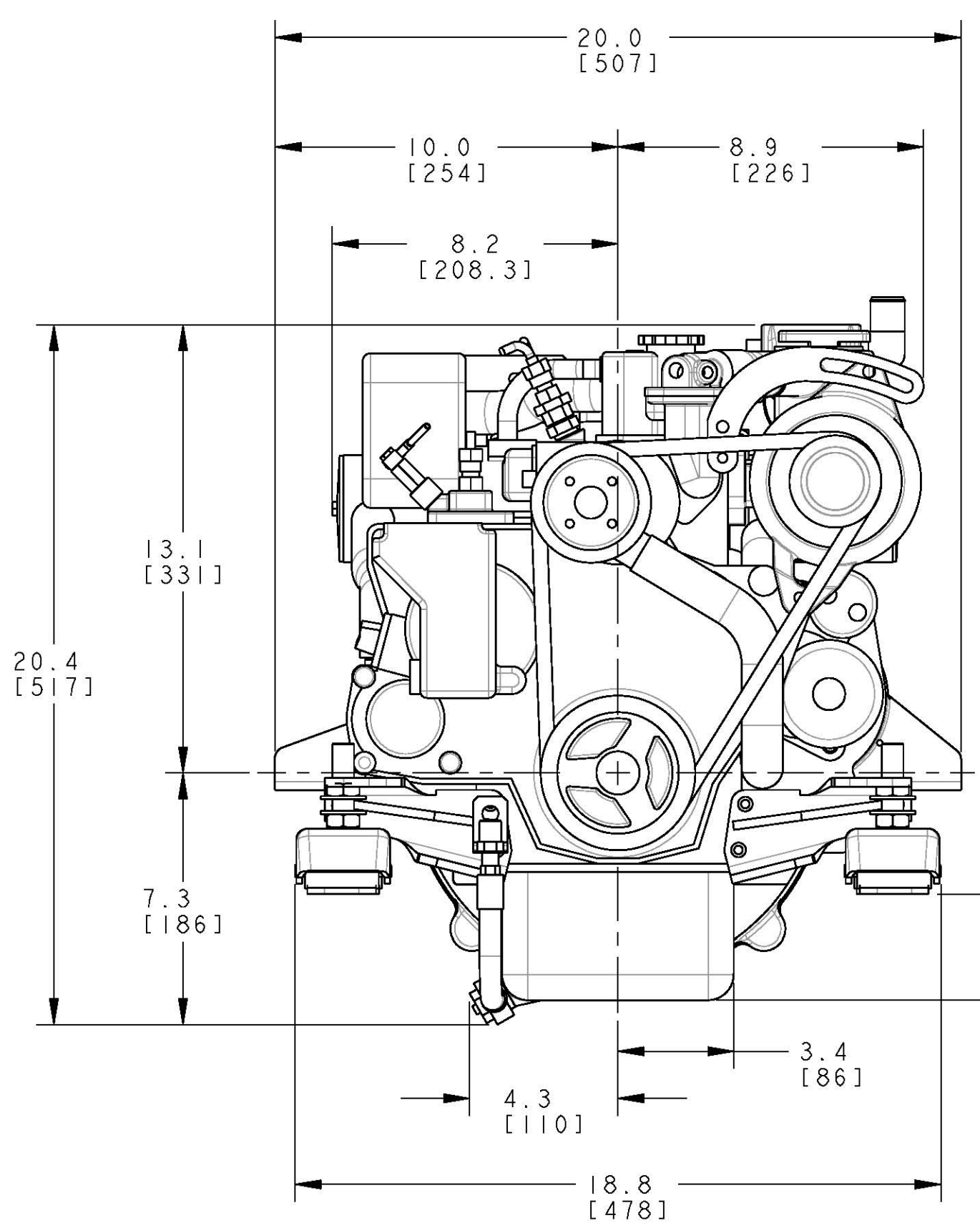
RAW WATER DISCHARGE 1.0(25.4) I.D. HOSE.



Ø .413(10.5) THRU (4) HOLES EQUALLY SPACED ON A Ø3.25" (Ø82.5) B.C.

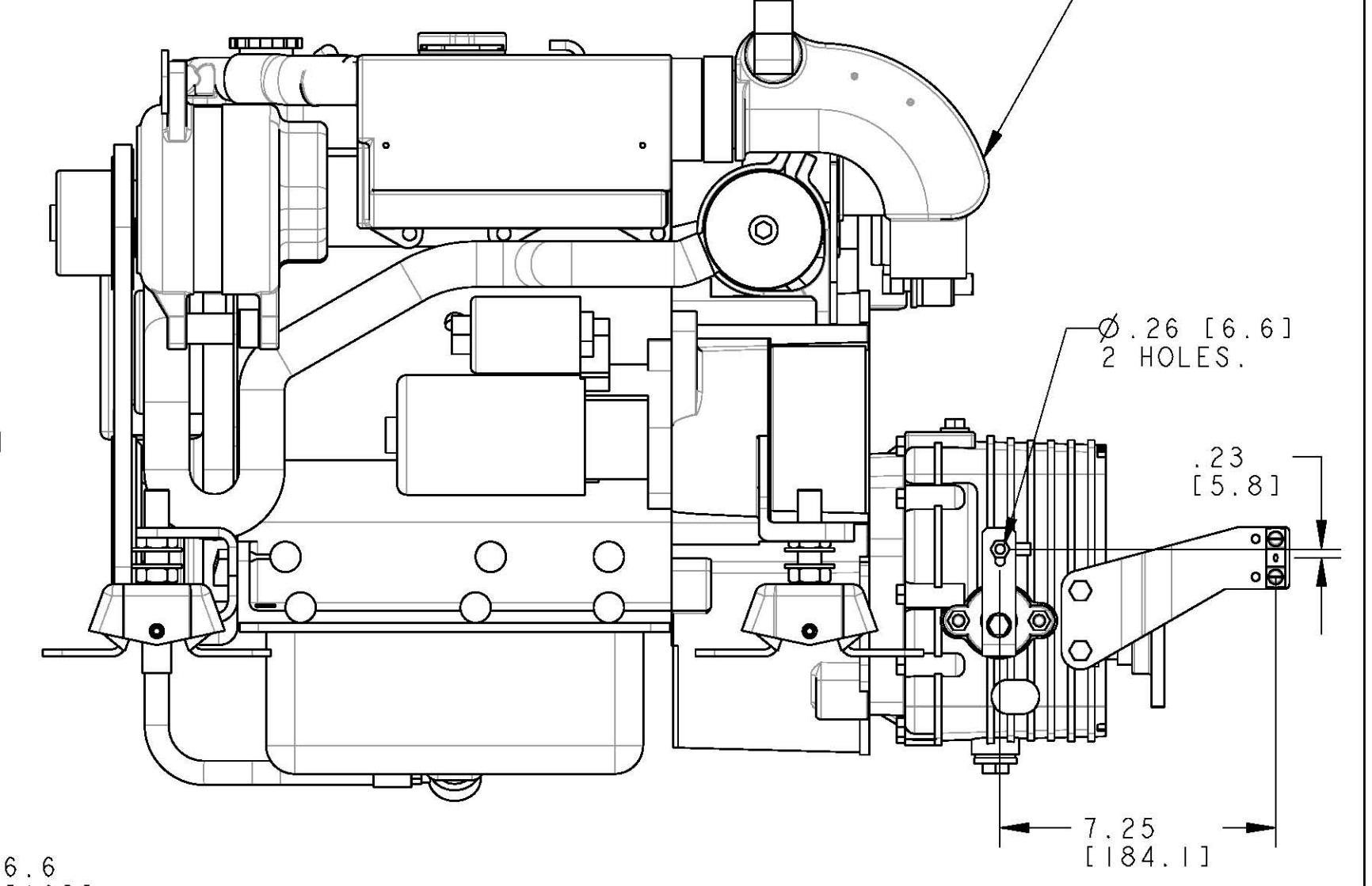


RAW WATER INLET 1.0(25.4) I.D. HOSE.

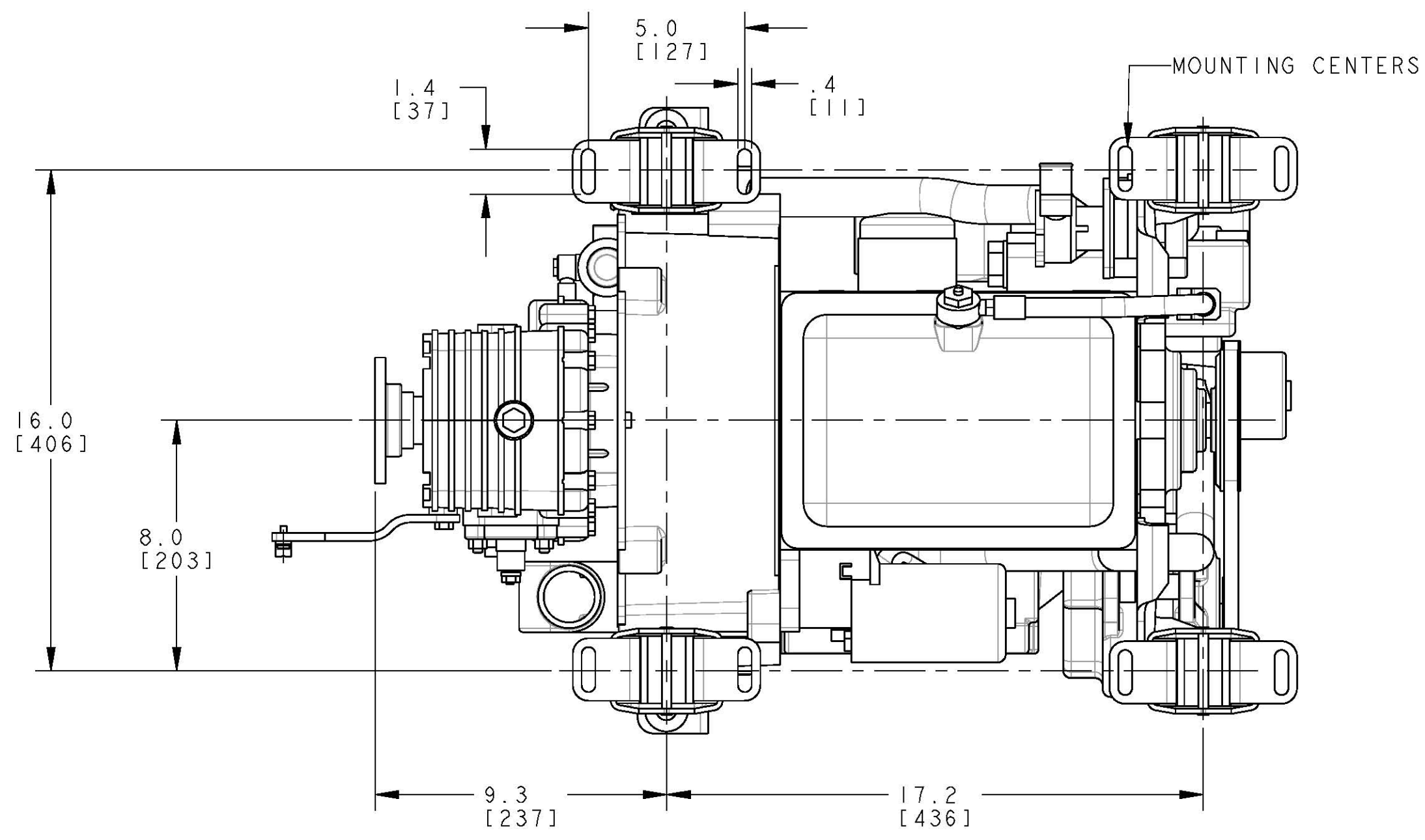


WATER INJECTION FITTING LOCATED ON EITHER SIDE 1.0(25.4) I.D. HOSE

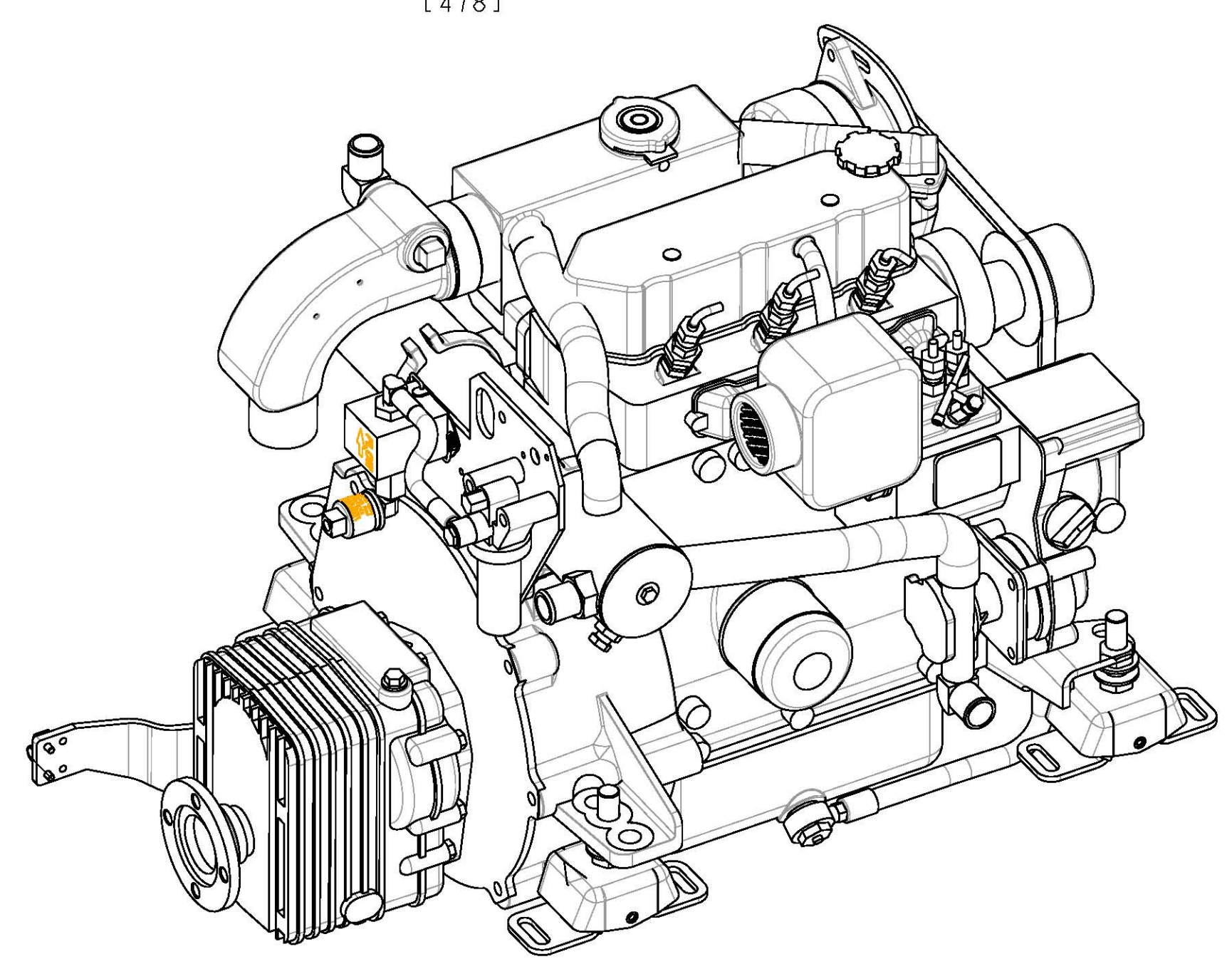
EXHAUST OUTLET (OPTIONAL) 2.0(50.8) I.D. HOSE.



Ø .26 [6.6] 2 HOLES.



MOUNTING CENTERS



TOLERANCES (UNLESS OTHERWISE NOTED)		WESTERBEKE CORPORATION TAUNTON MA. 02780			
INCHES	MILLIMETERS	TITLE INSTALLATION DRAWING 30C WITH PRM80 TRANSMISSION.			
.XX : .02	.X : .1	DRAWN BY	DATE	MATERIAL:	
.XXX : .005	.X : .05	GA	21/Jul/2010	-	
CAST : .03	.XX : .15	APPROVED BY	DATE	-	
ANGLES : 5°		SCALE 0.250		SIZE	DRAWING NUMBER
FINISH : 3		SHT. 1 OF 1		D	54873
(WHEN APPLICABLE)				REV.	-