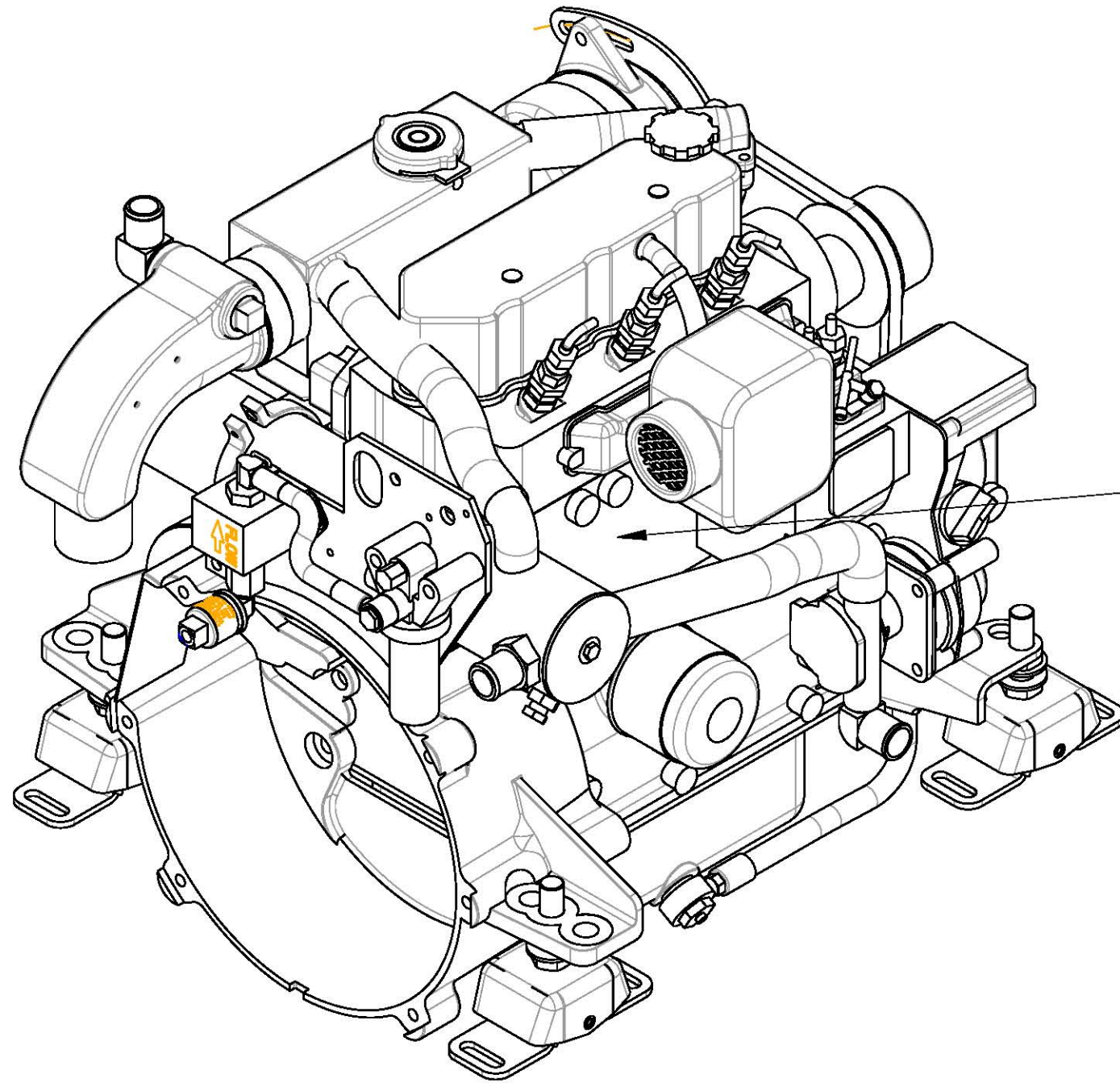


ECO NO.	DATE	REV.	REVISION RECORD	AUTH.	DR. BY



- 54707**  
ENGINE, BLOCK ASSY 30C
- 54712**  
ENGINE, BLOCK ASSY 20C
- 54719**  
ENGINE, BLOCK ASSY 12D

NOTE: MODEL SHOWN AS 30C WITH ZF15MA THANSMISSION

DRAWING SHOWS CHANGE FOR MODEL 12D, 20C, AND 30C.  
FOR ALL OTHER PARTS, SEE PARTS BOOK 39721 FOR 12D  
PARTS BOOK 37155 FOR 20C AND 30C.

TOLERANCES (UNLESS OTHERWISE NOTED)		WESTERBEKE CORPORATION TAUNTON, MA. 02780		
INCHES .XX ± 0.01 .XXX ± 0.001 ANG ± 0.5° FINISH $\sqrt{3}$	MILLIMETERS X. ± 1.0 .X ± .5 .XX ± .13	TITLE DGPARTS 30C THREE, 20C TWO, 12D TWO ---		
DIMENSIONS INCHES ← → MILLIMETERS (WHEN APPLICABLE)		DRAWN BY GA	DATE 10/Feb/10	MATERIAL: ---
		APPROVED BY	DATE	---
		SCALE 0.250	SIZE <b>B</b>	DRAWING NUMBER <b>54706</b>
		SHT. 1 OF 1	REV. -	