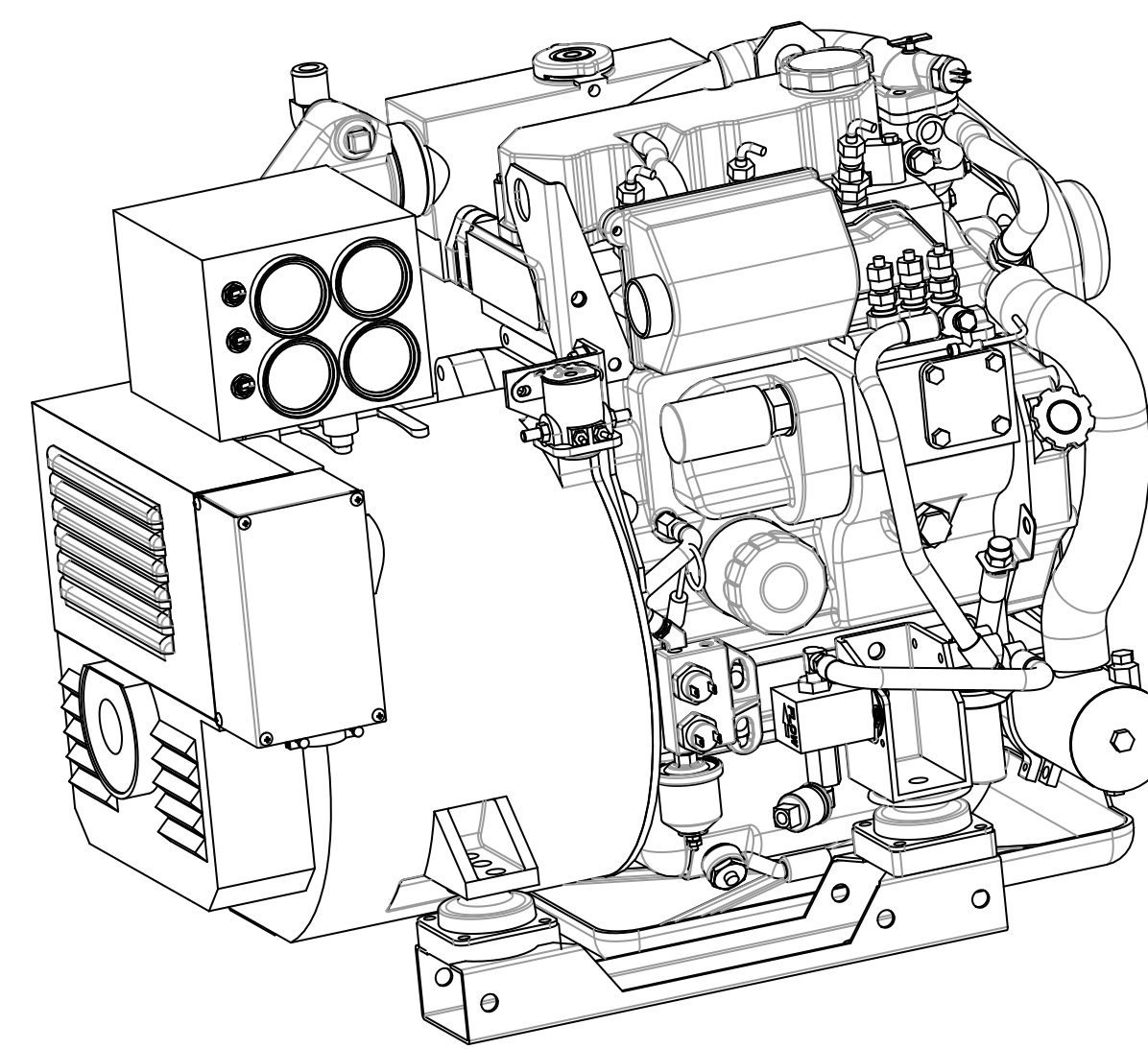
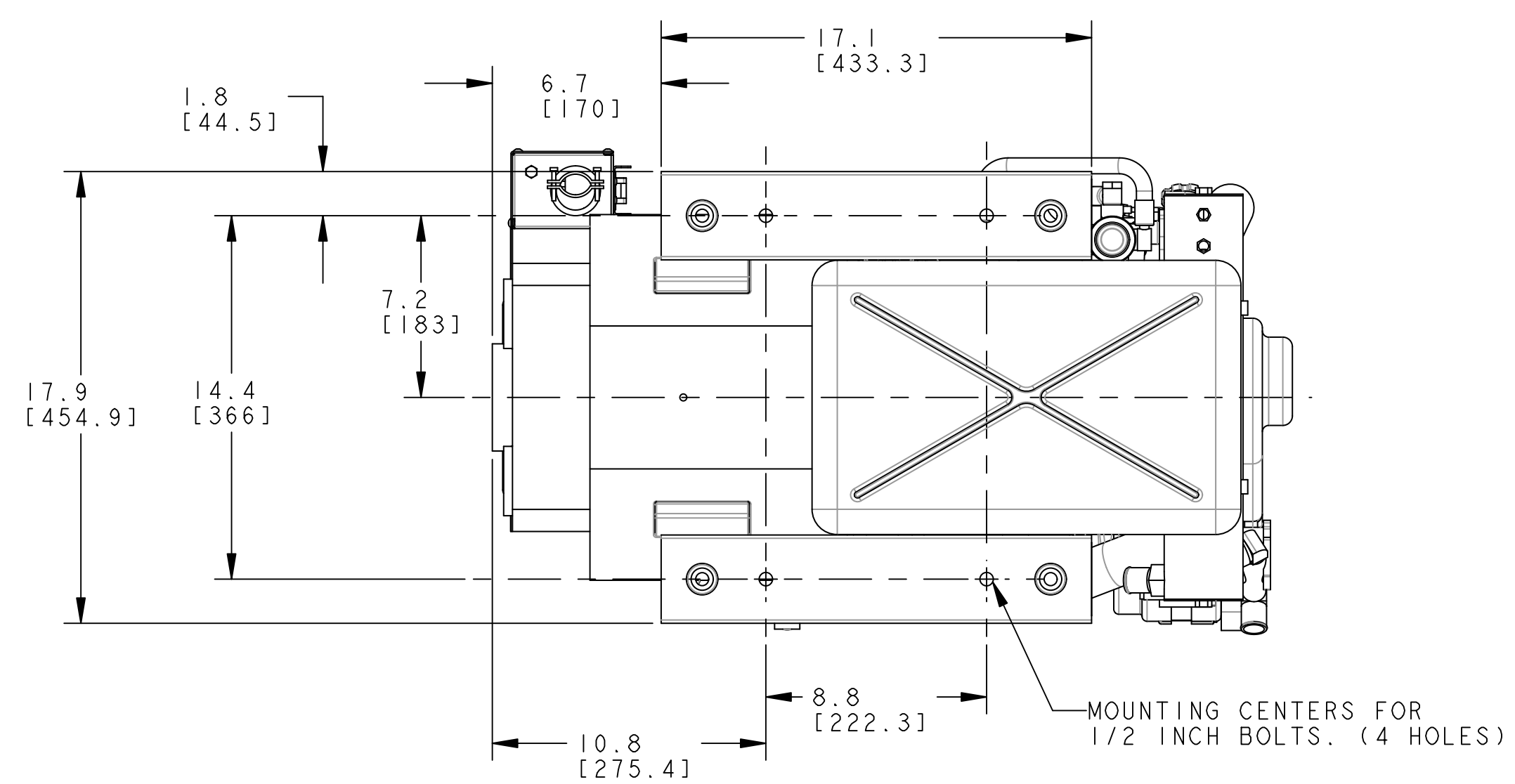
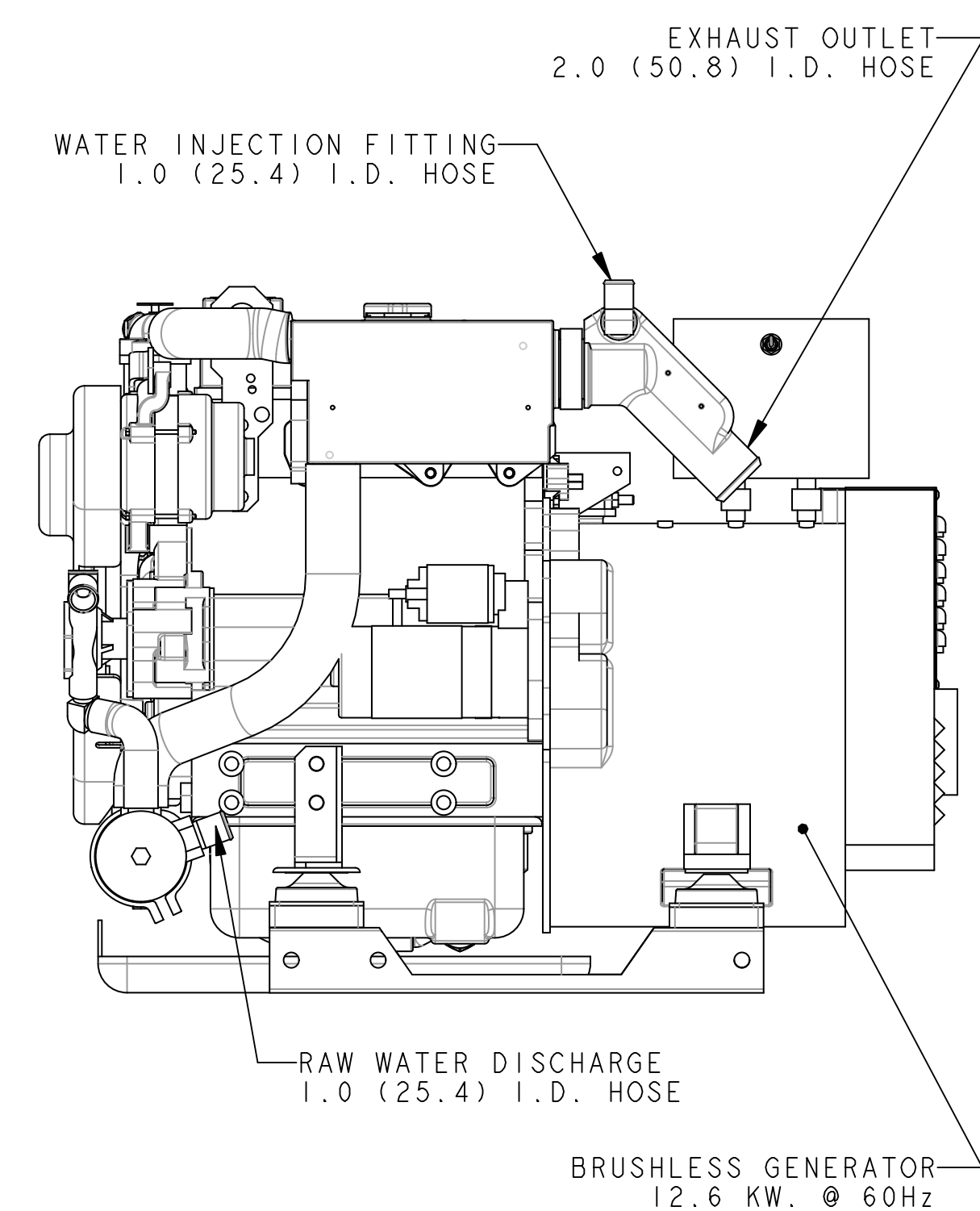
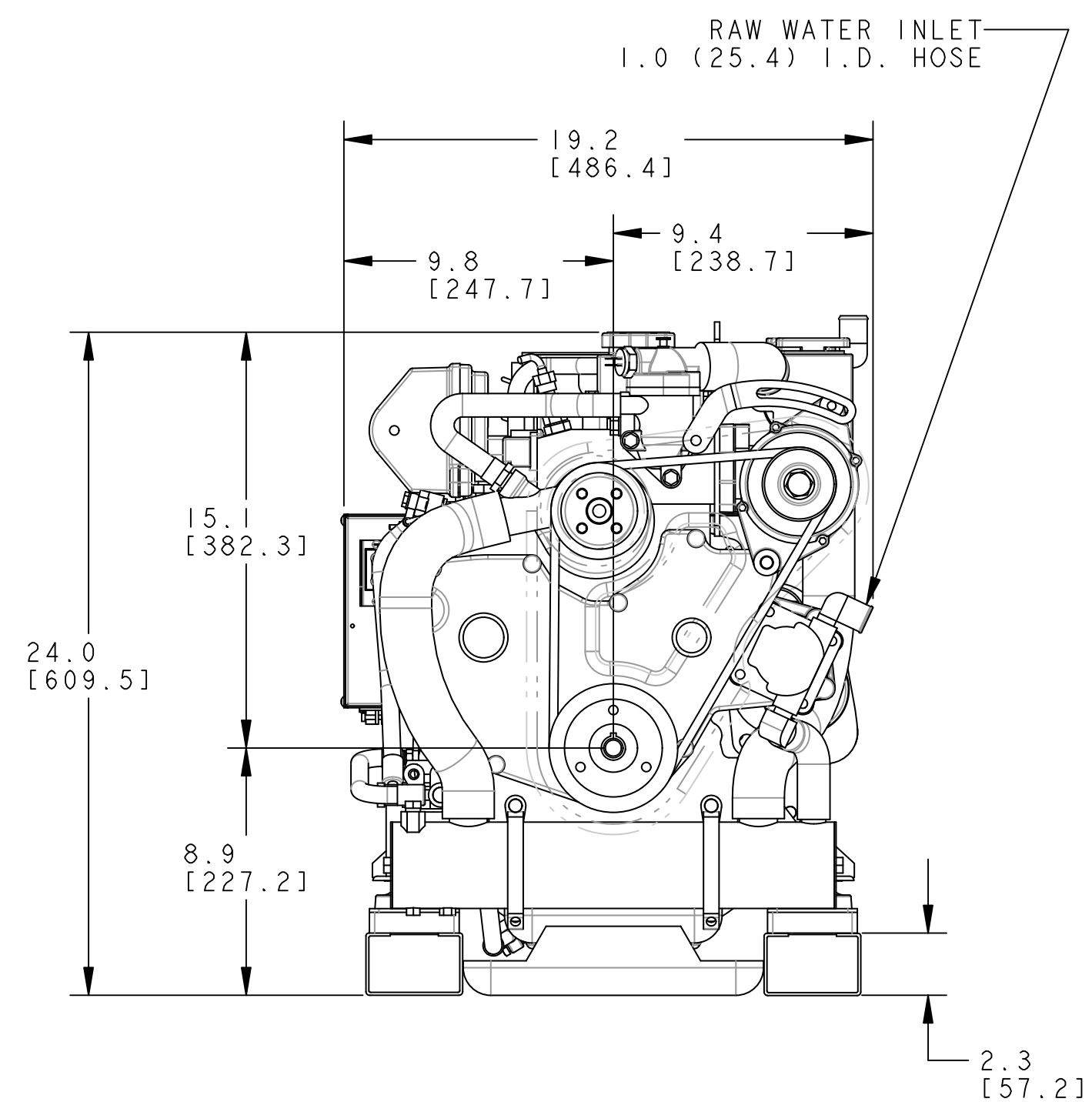
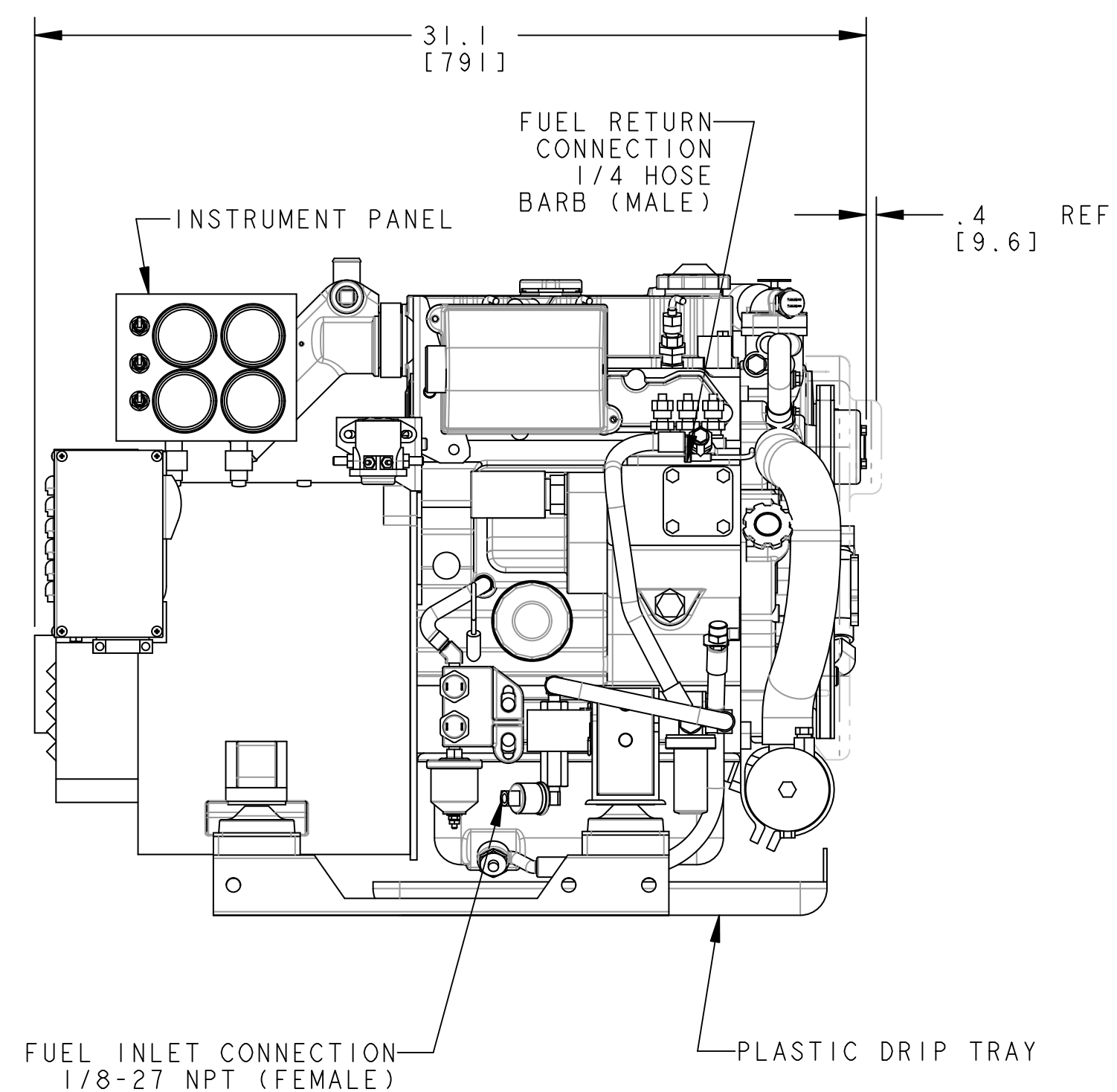
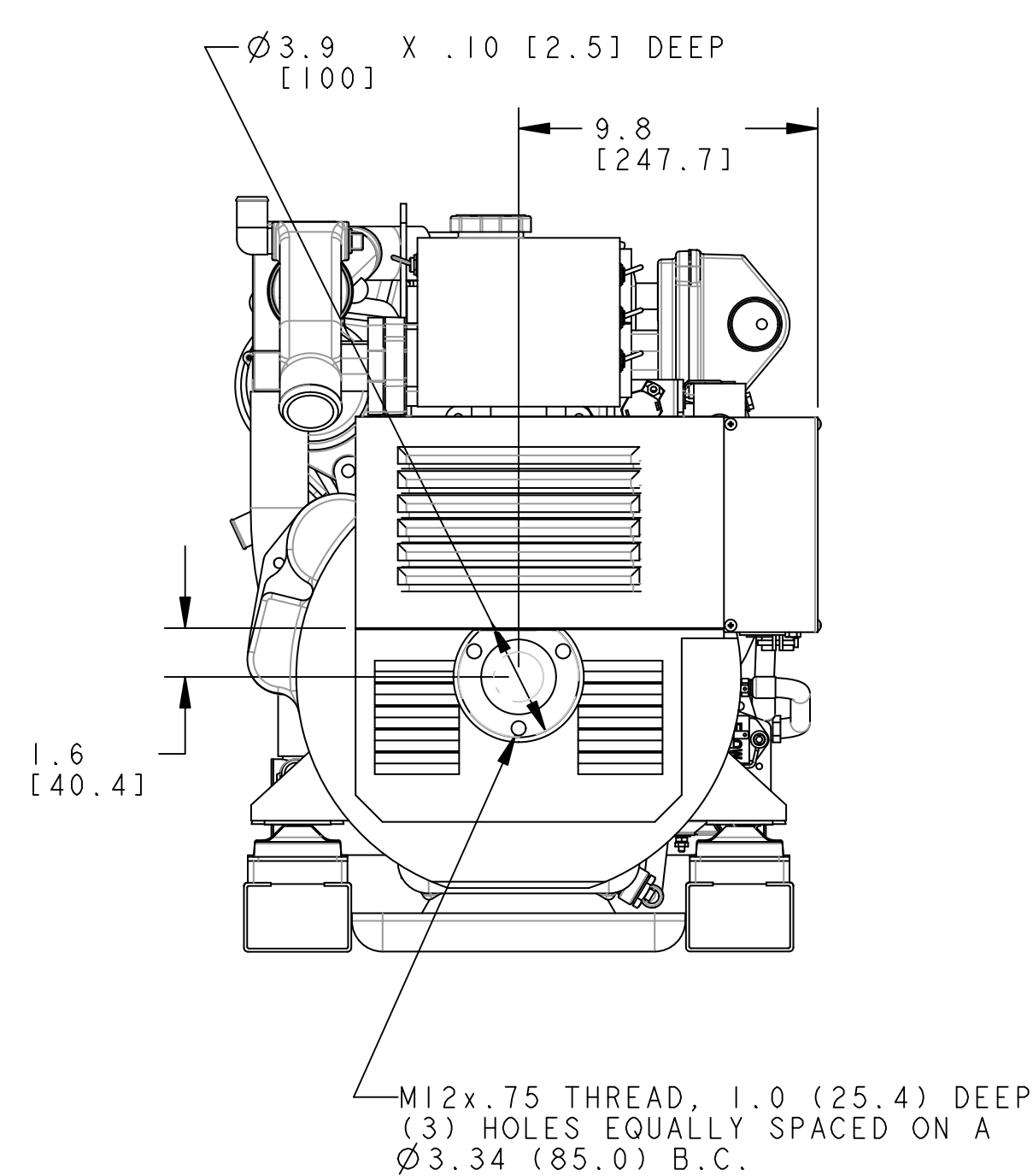
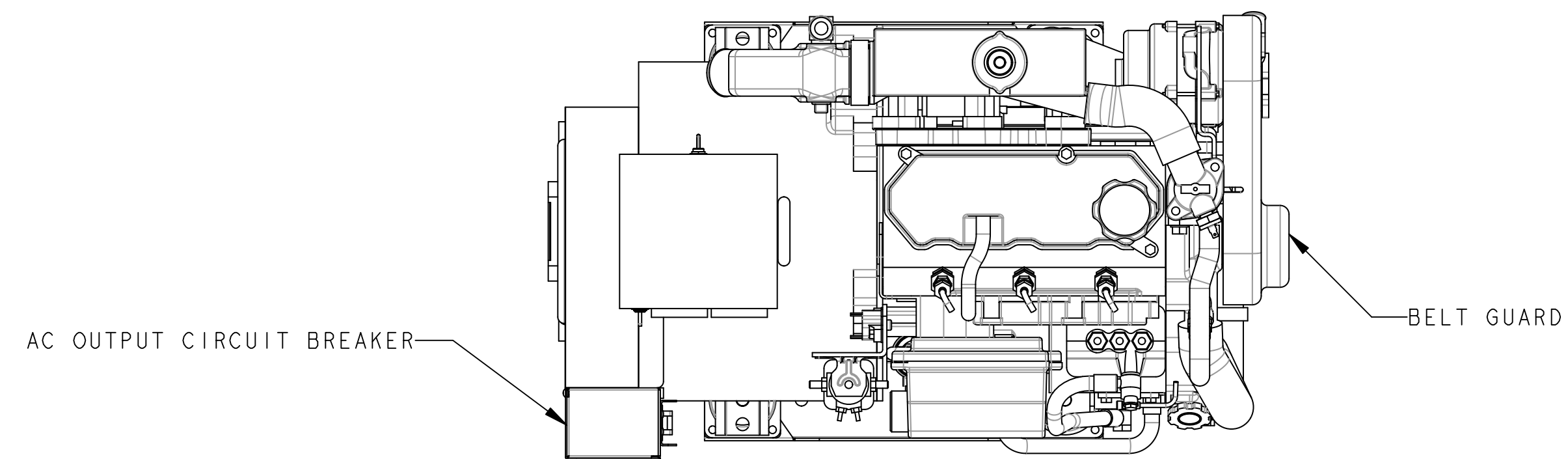


ECO NO.	DATE	REV.	REVISION RECORD	AUTH.	DR. BY
5348	8-15-02	A	UPDATE ASM TO REFLECT CURRENT BOM		BM
5424	12-12-02	B	ADDED PART #48076 TO ASSEMBLY		BM
6518	5-23-2008	C	UPDATE MODEL NAME TO 11.5 BTD IN TITLE BLOCK.		GA
7077	7-7-2014	D	ADD MODEL 11.0/8.8 BTDB.		GA



MODEL:
 11.0 BTDB 60Hz / 8.8 BTDB 50Hz
 11.5 BTD 60Hz / 9.2 BTD 50Hz
 12.6 BTD 60Hz / 10.4 BTD 50Hz

MODEL WITH 50 AMP ALTERNATOR

TOLERANCES (UNLESS OTHERWISE NOTED)		WESTERBEKE	
INCHES	MILLIMETERS	TITLE	INSTALLATION DRAWING
.XX : .02	.X : ± 1.0	---	---
.XXX : .005	.X : $\pm .5$		
CAST : .03	.XX : $\pm .13$		
ANGLES : .5°			
FINISH : \sqrt{R}			
DIMENSIONS		DRAWN BY	DATE
INCHES		GA	28/May/02
MILLIMETERS		APPROVED BY	DATE
(WHEN APPLICABLE)		SCALE 0.187	SIZE
		SHT. 1 OF 1	DRAWING NUMBER
		D	47847
			REV.
			D