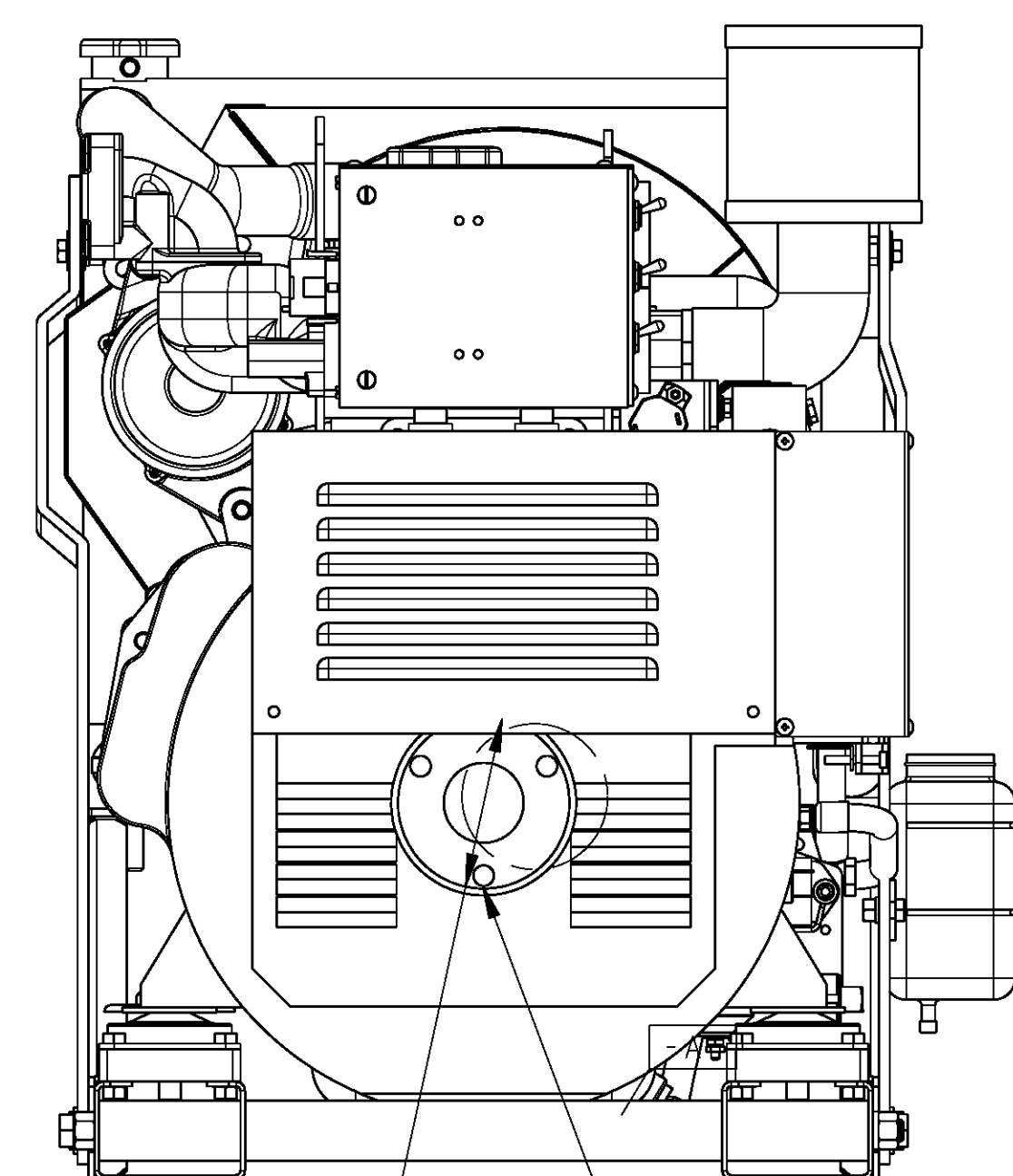
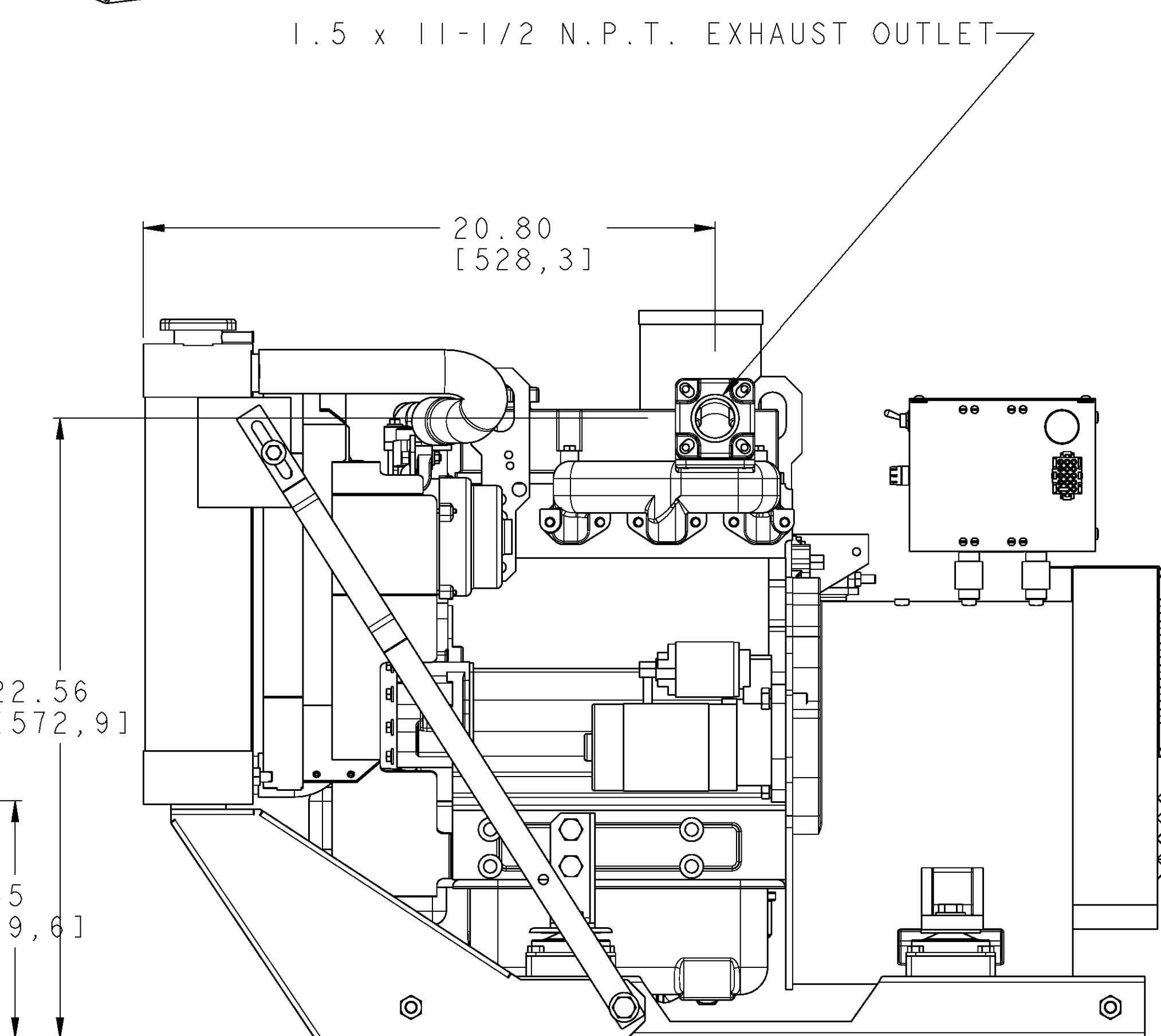
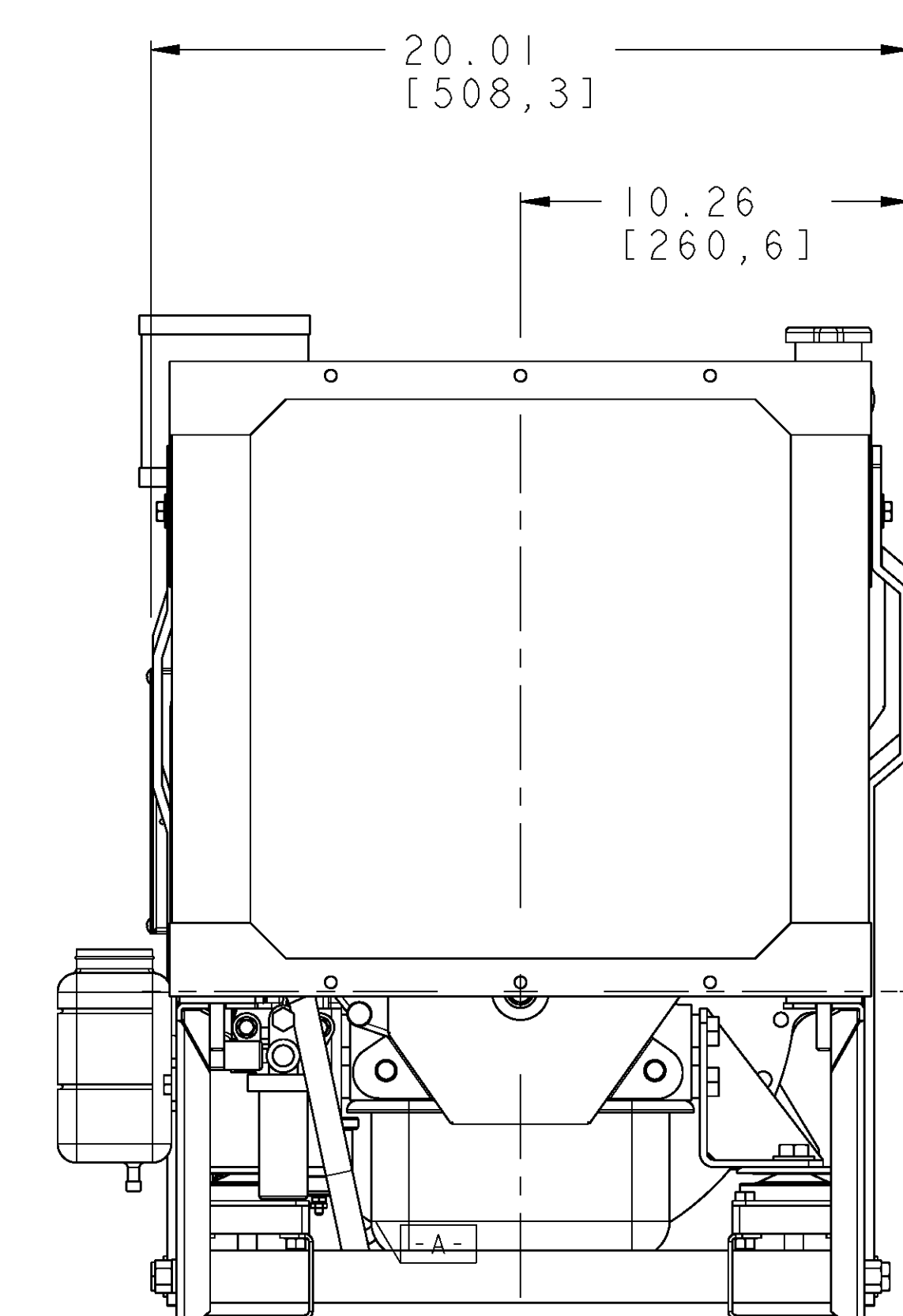
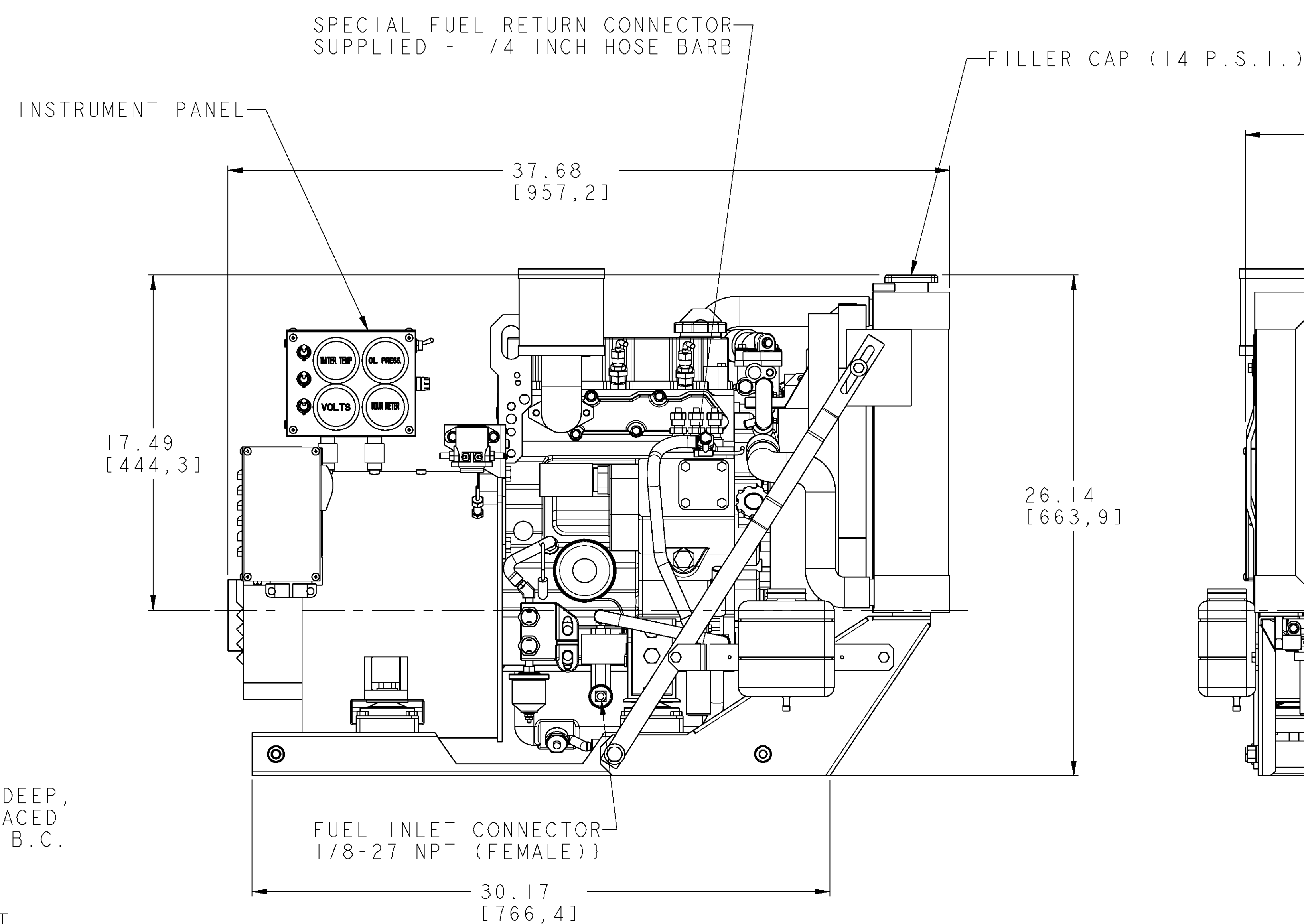
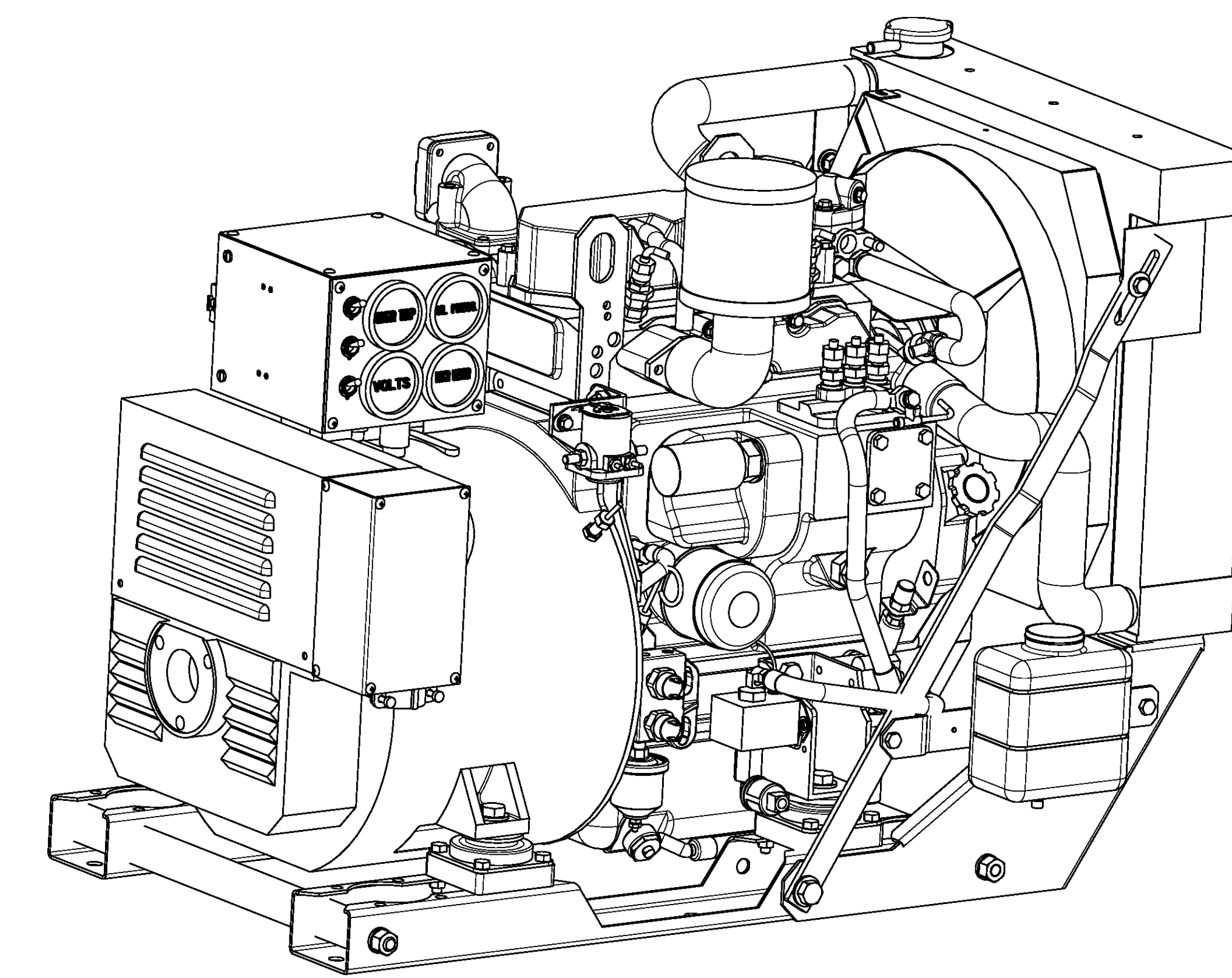
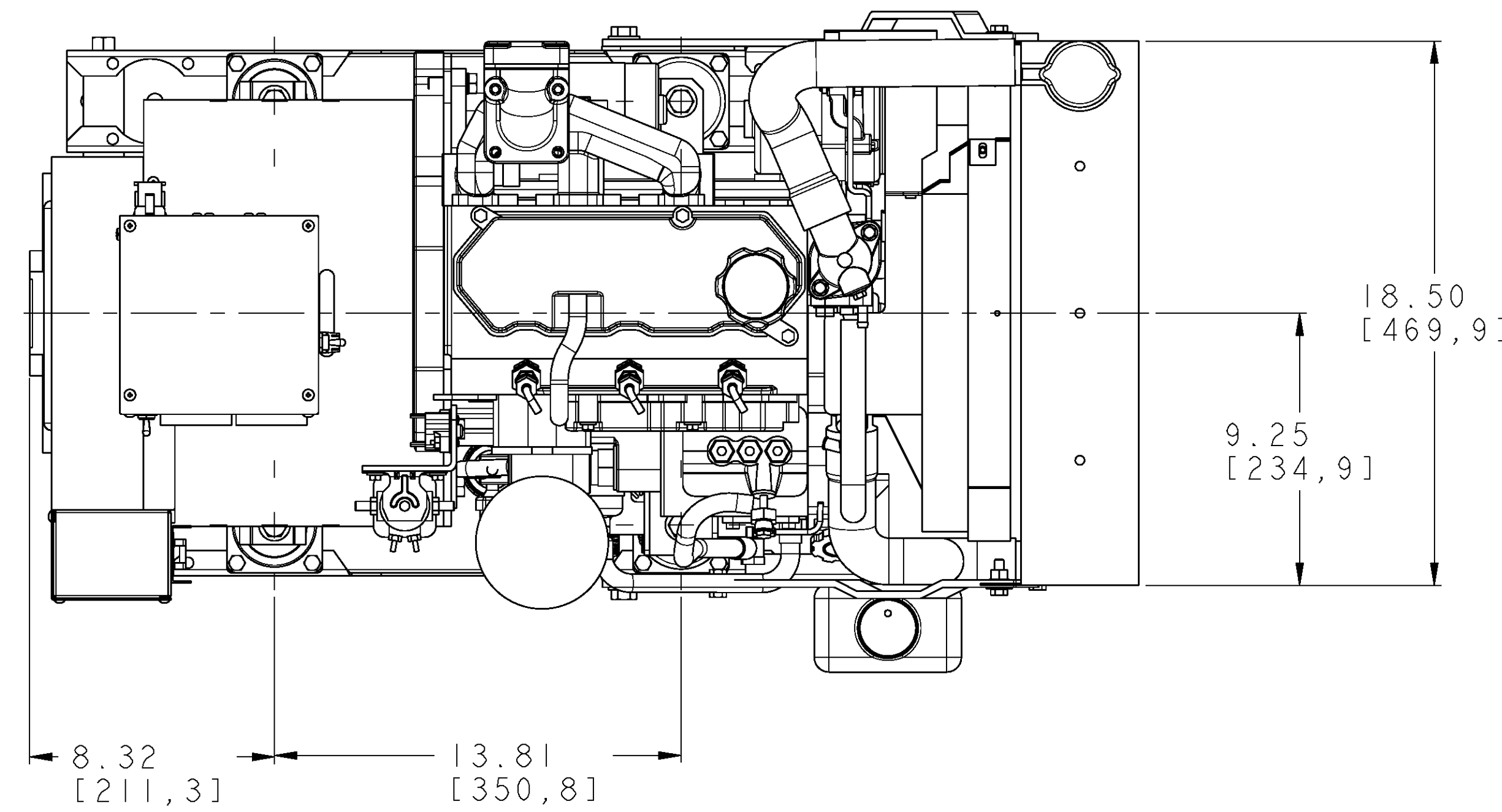
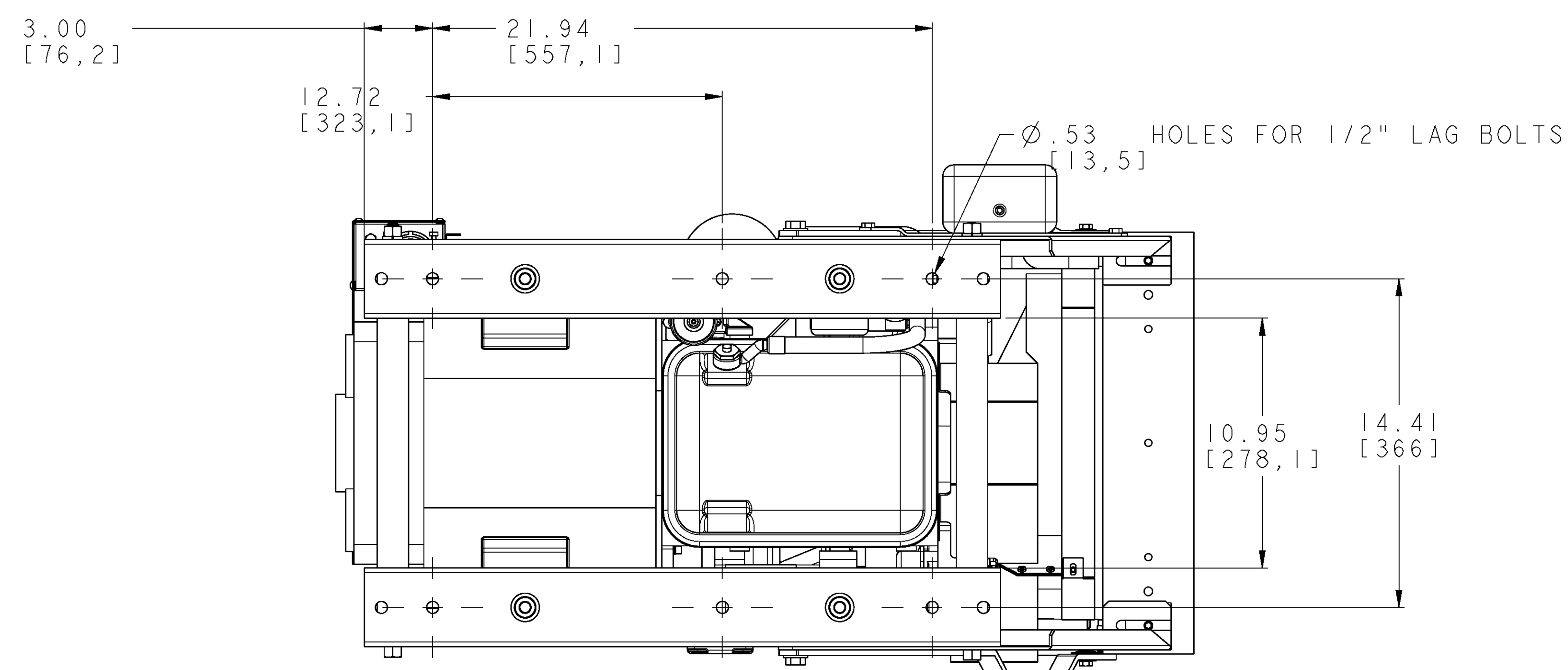


ECO NO.	DATE	REV.	REVISION RECORD	AUTH.	DR. BY
5347	8-15-55	A	TITLE WAS 12.6 BTDR W/ ELECT GOV.		GA
6541	2-28-58	B	ADDED MODEL 11.0 BTDR		GA



M12 x 1.75 x 25mm DEEP,
3 HOLES EQUALLY SPACED
ON A Ø3.346[Ø85] B.C.

Ø3.94 x .10[2.5] DEEP PILOT
[100]



TOLERANCES (UNLESS OTHERWISE NOTED)		WESTERBEKE CORPORATION TAUNTON MA. 02780	
INCHES	MILLIMETERS	TITLE	
.XX : .02	X : .1	INSTALLATION DRAWING 12.0 BTDR	(A) (B)
.XXX : .005	.X : .005	11.0 BTDR W/ ELECTRONIC GOVERNING	
CAST : .03	.XX : .005		
ANGLES : °			
FINISH : Ø			
DIMENSIONS	APPROVED BY	DATE	MATERIAL
INCHES	WRM		
MILLIMETERS			
(WHEN APPLICABLE)	SCALE 0.250	SIZE	DRAWING NUMBER
	SHT. 1 OF 1	E	47874
			REV.
			B