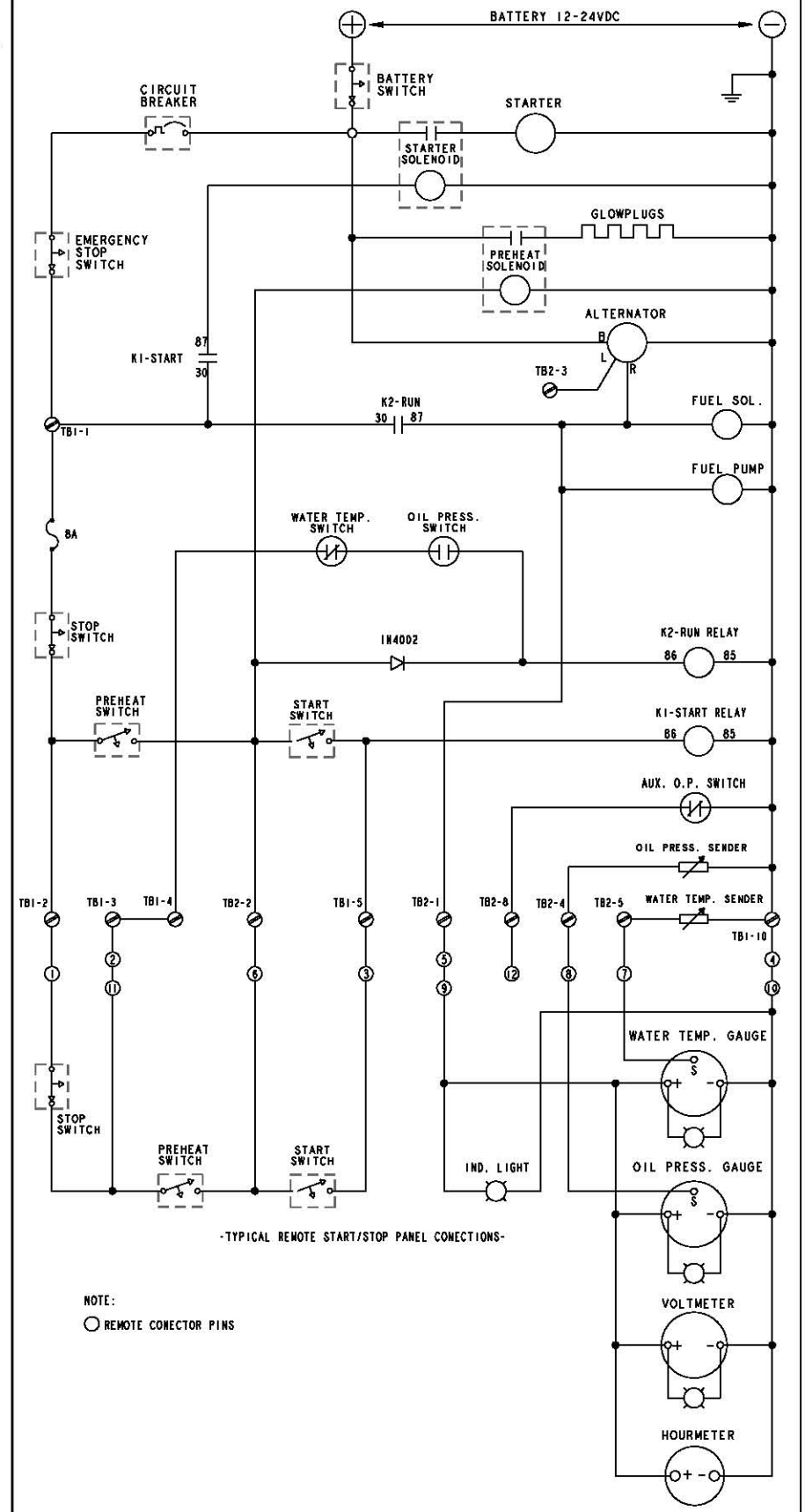
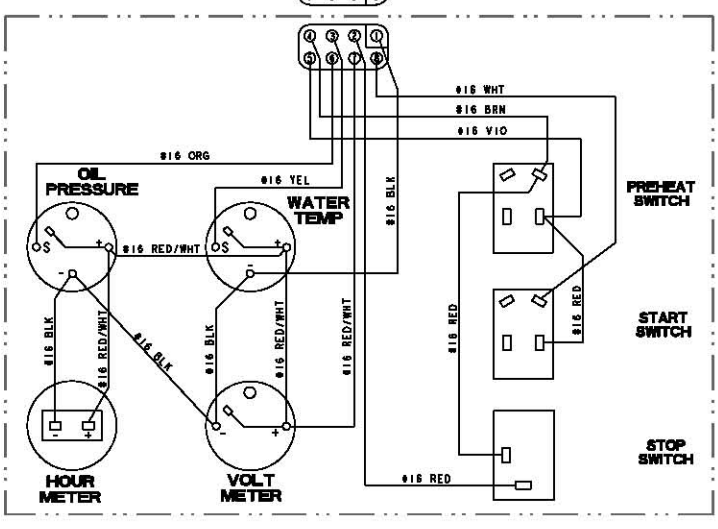
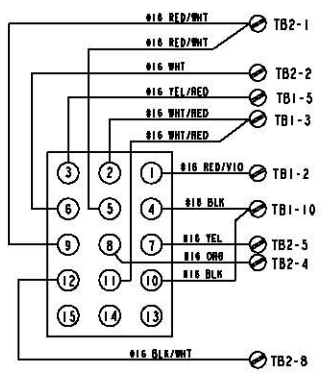


NOTE:  
 1. REMOVE JUMPER WHEN CONNECTING A SECOND REMOTE PANEL.  
 2. GROUND \*1\* TERMINAL OF PREHEAT SOLENOID ON 24V SYSTEM ONLY.



NOTE:  
 ○ REMOTE CONNECTOR PINS

ECO NO.	DATE	REV.	REVISION RECORD	AUTH.	DR.	4632	10/1	A	UPDATED ALTERNATOR WIRING SCHEMATIC	TSM
WESTERBEKE CORPORATION AVON, MA. 02322										
TOLERANCES UNLESS OTHERWISE SPECIFIED			INCHES			MILLIMETERS			TITLE WIRING DIAGRAM/SCHEMATIC	
FRACTIONS			DECIMALS			FRACTIONS			SCALE NONE	
DIMENSIONS IN LINES			DIMENSIONS IN LINES			DIMENSIONS IN LINES			DATE 10/1/80	
DRAWN RPG			CHECKED RPG			APPROVED BY TSM			REV. E 44744	
PARTS LIST			PARTS LIST			PARTS LIST			REV. 1 of 1	