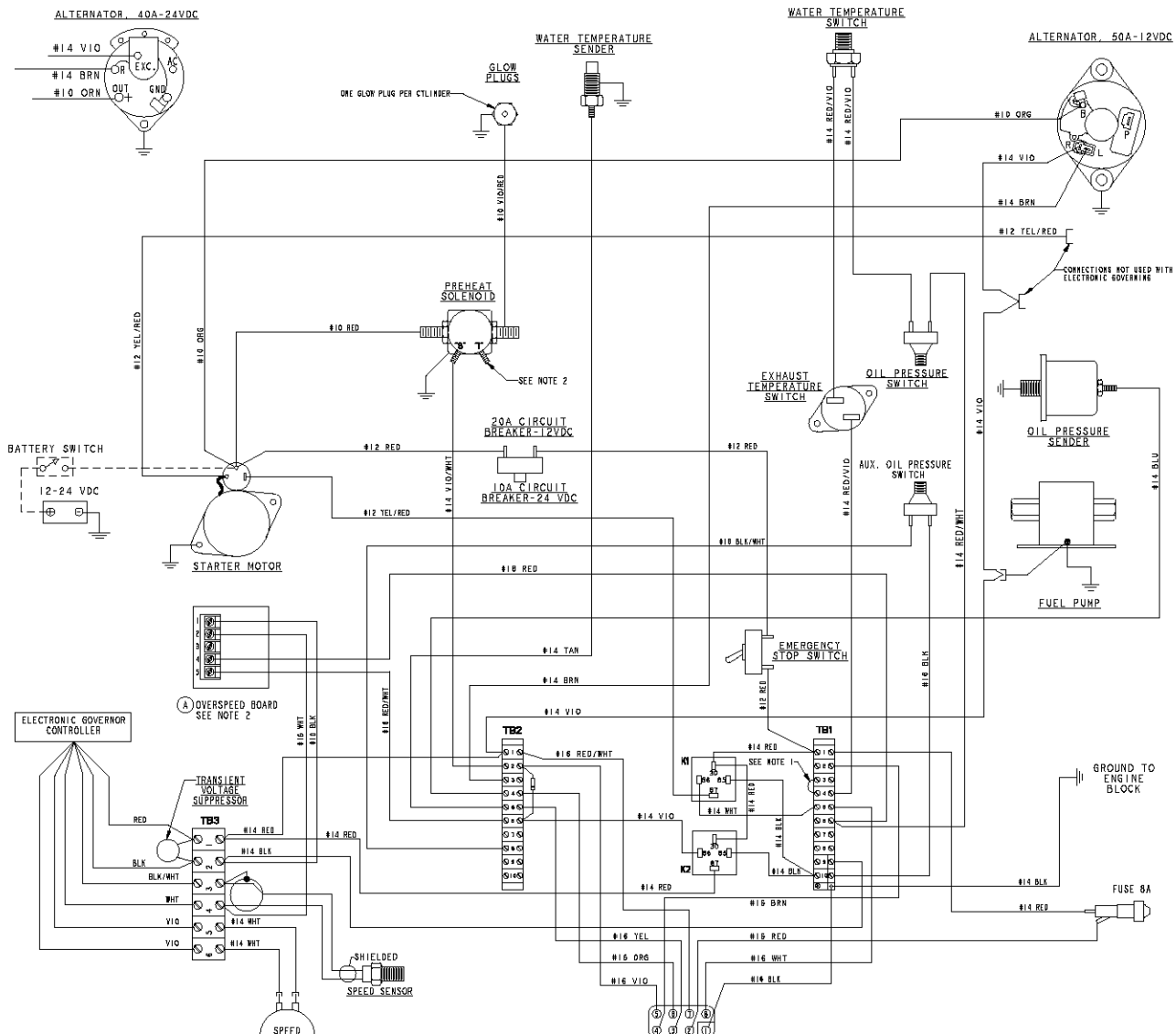
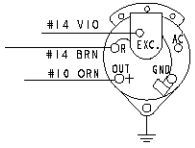
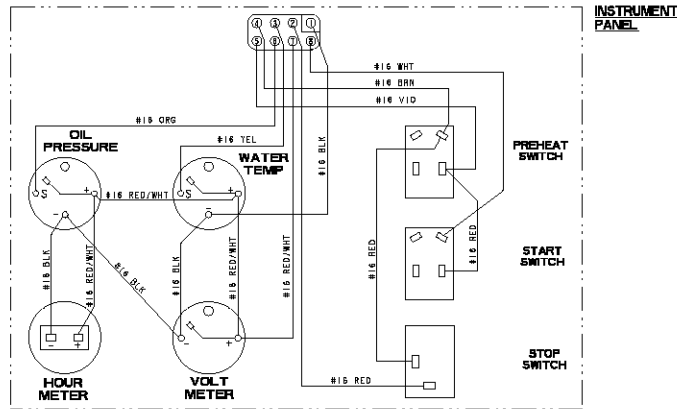
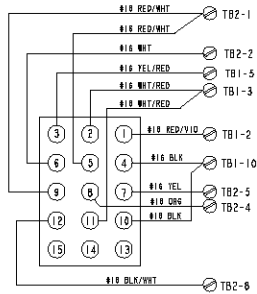


ALTERNATOR, 40A-24VDC

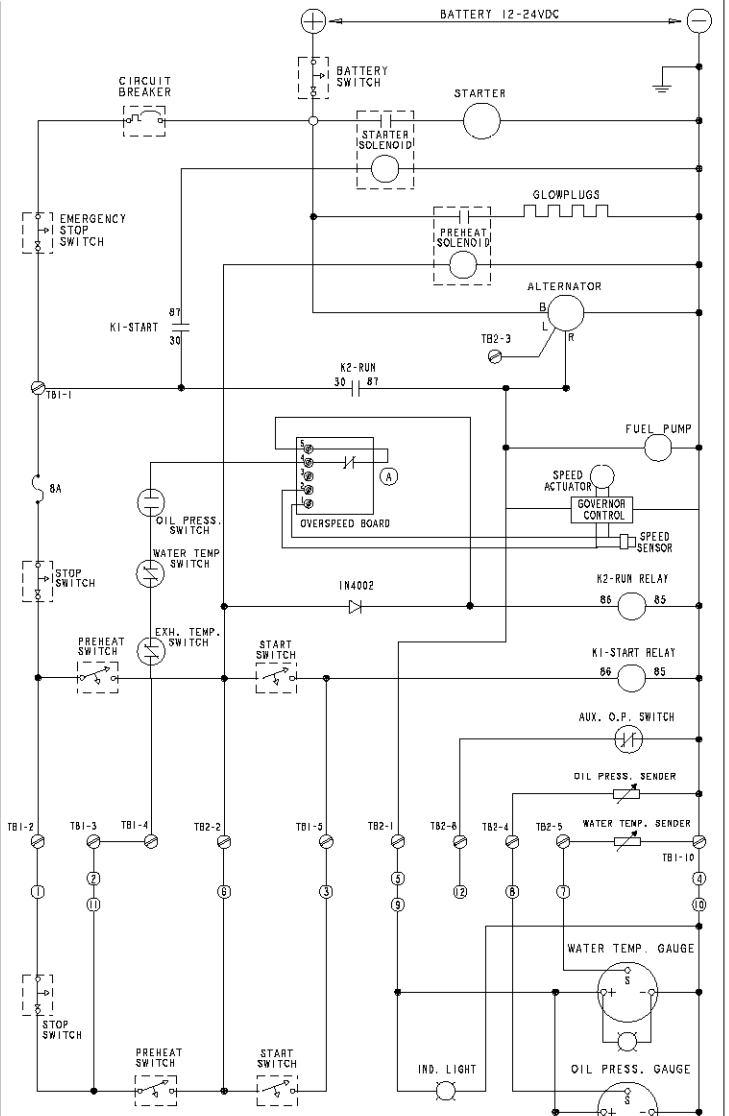
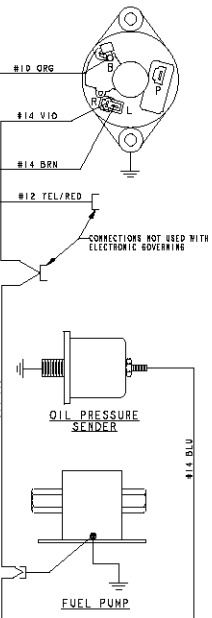


NOTE:

1. REMOVE JUMPER WHEN CONNECTING A SECOND REMOTE PANEL.
2. GROUND "1" TERMINAL OF PREHEAT SOLENOID ON 24V SYSTEM ONLY.



ALTERNATOR, 50A-12VDC



-TYPICAL REMOTE START/STOP PANEL CONNECTIONS-

NOTE:

1. REMOTE CONNECTOR PINS: J1 OPEN-50HZ, J2 OPEN-5-15HW, J3 CLOSE-50HZ, J4 CLOSE-20-85KW

TOLERANCES		WESTERBEKE CORPORATION AVON, MA. 02322	
FINISHED	FRACTIONAL DECIMALS	SIZE	WORKING DIAGRAM/SCHEMATIC, 8.0 STD., 10.0 STD., 12.5 STD., 15.0 STD. - SRC W/ELECT BODY
UNFINISHED	FRACTIONAL DECIMALS	DATE	REVISED
APPROVED BY	DATE	APPROVED BY	DATE
DIAGRAM ID NO.	DATE	APPROVED BY	DATE
REVISIONS	DATE	BY	REASON
1			
2			
3			
4			
5			
6			
7			
8			
9			
10			
11			
12			
13			
14			
15			
16			
17			
18			
19			
20			
21			
22			
23			
24			
25			
26			
27			
28			
29			
30			
31			
32			
33			
34			
35			
36			
37			
38			
39			
40			
41			
42			
43			
44			
45			
46			
47			
48			
49			
50			
51			
52			
53			
54			
55			
56			
57			
58			
59			
60			
61			
62			
63			
64			
65			
66			
67			
68			
69			
70			
71			
72			
73			
74			
75			
76			
77			
78			
79			
80			
81			
82			
83			
84			
85			
86			
87			
88			
89			
90			
91			
92			
93			
94			
95			
96			
97			
98			
99			
100			