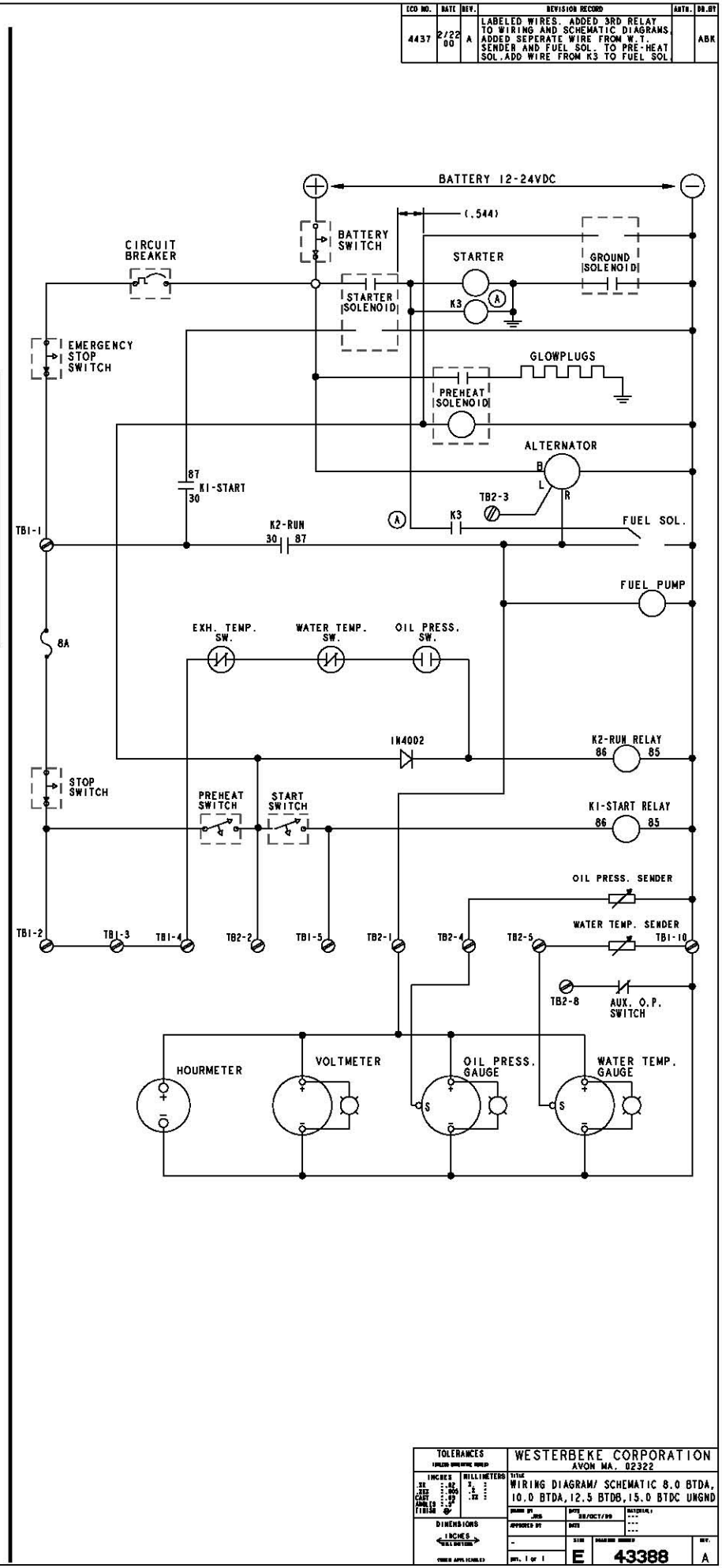
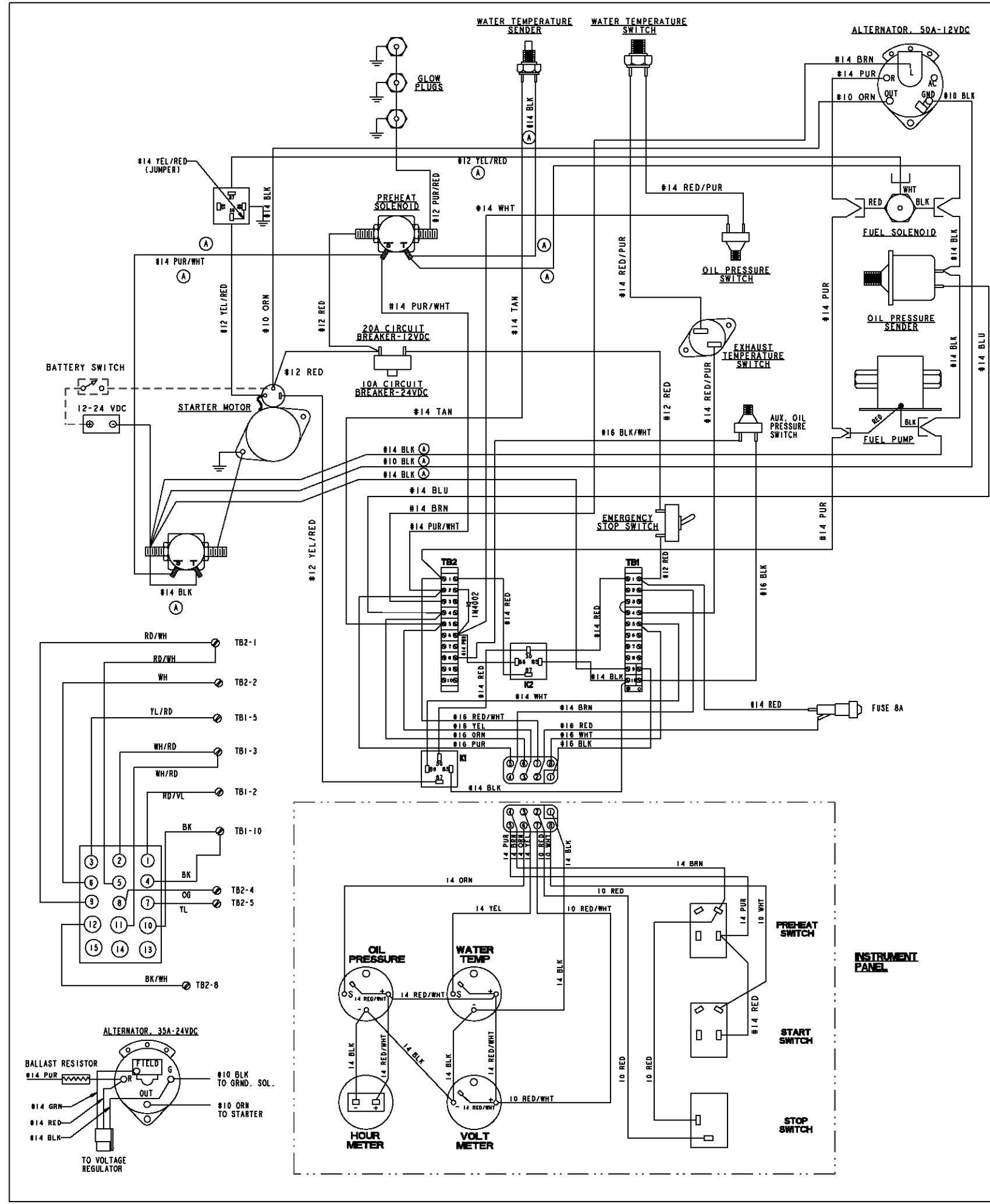


ECO NO.	DATE	REV.	REVISION RECORD	DATE	BY
4437	2/22	00	LABELLED WIRES. ADDED 3RD RELAY TO WIRING AND SCHEMATIC DIAGRAMS. ADDED SEPARATE WIRE FROM W.T. SENDER AND FUEL SOL. TO PRE-HEAT SOL. ADD WIRE FROM K3 TO FUEL SOL.		ABR



TOLERANCES		WESTERBEKE CORPORATION AYON, MA. 02322	
INCHES	MILLIMETERS	WIRING DIAGRAM/ SCHEMATIC 8.0 BTDA, 10.0 BTDA, 12.5 BTDA, 15.0 BTDC UNGND	
±.0005	±.0127	DATE	REV.
±.0010	±.0254	2/22/00	00
±.0020	±.0508	APPROVED BY	DATE
±.0050	±.1270	ABR	2/22/00
±.0100	±.2540	ISSUED BY	DATE
±.0200	±.5080	ABR	2/22/00
±.0500	±.1270	SCALE	BY
±.1000	±.2540	1:1	ABR
±.2000	±.5080	FIG. 1 OF 1	43388
±.5000	±.1270		A