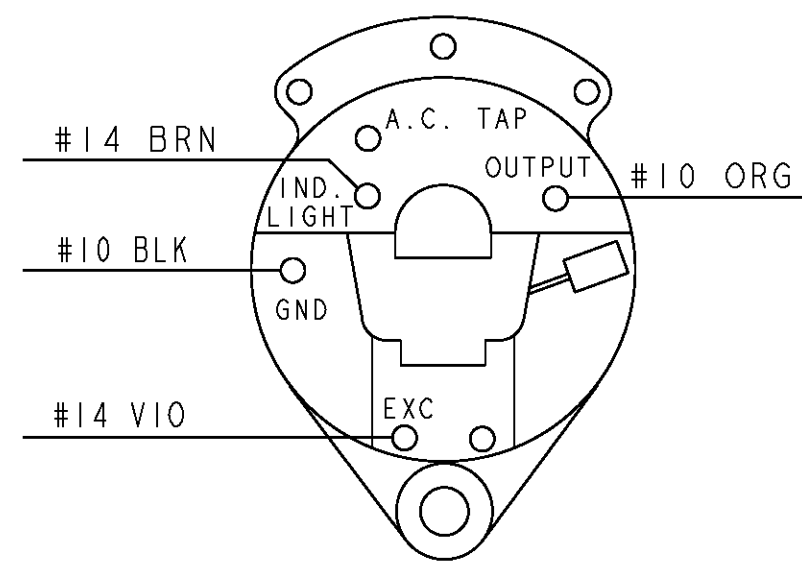
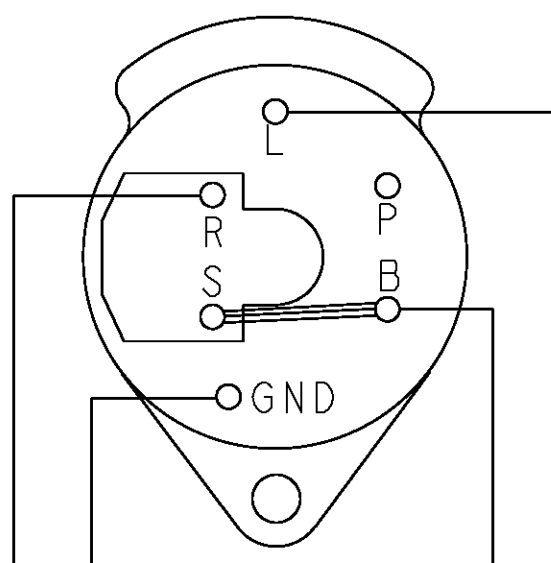


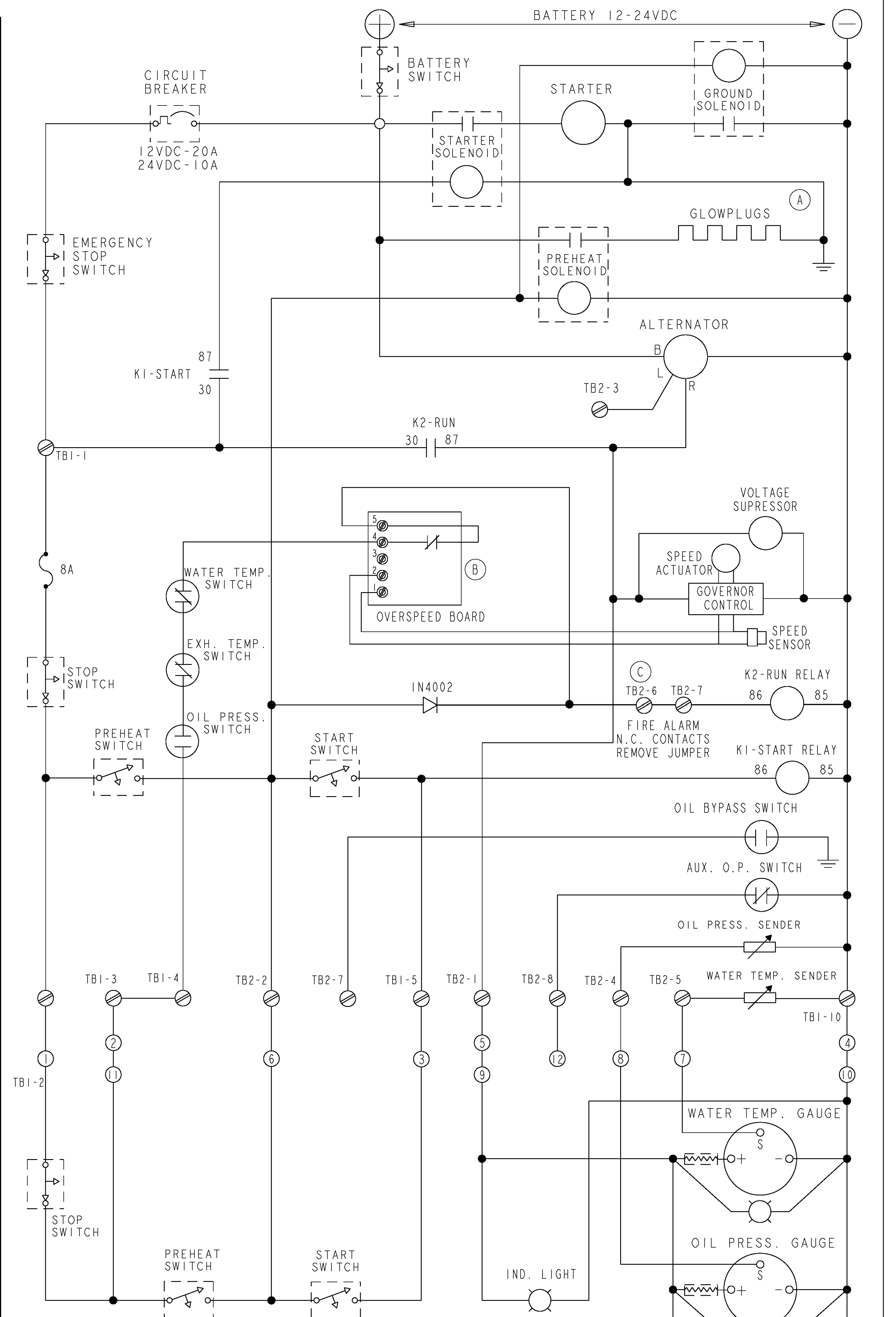
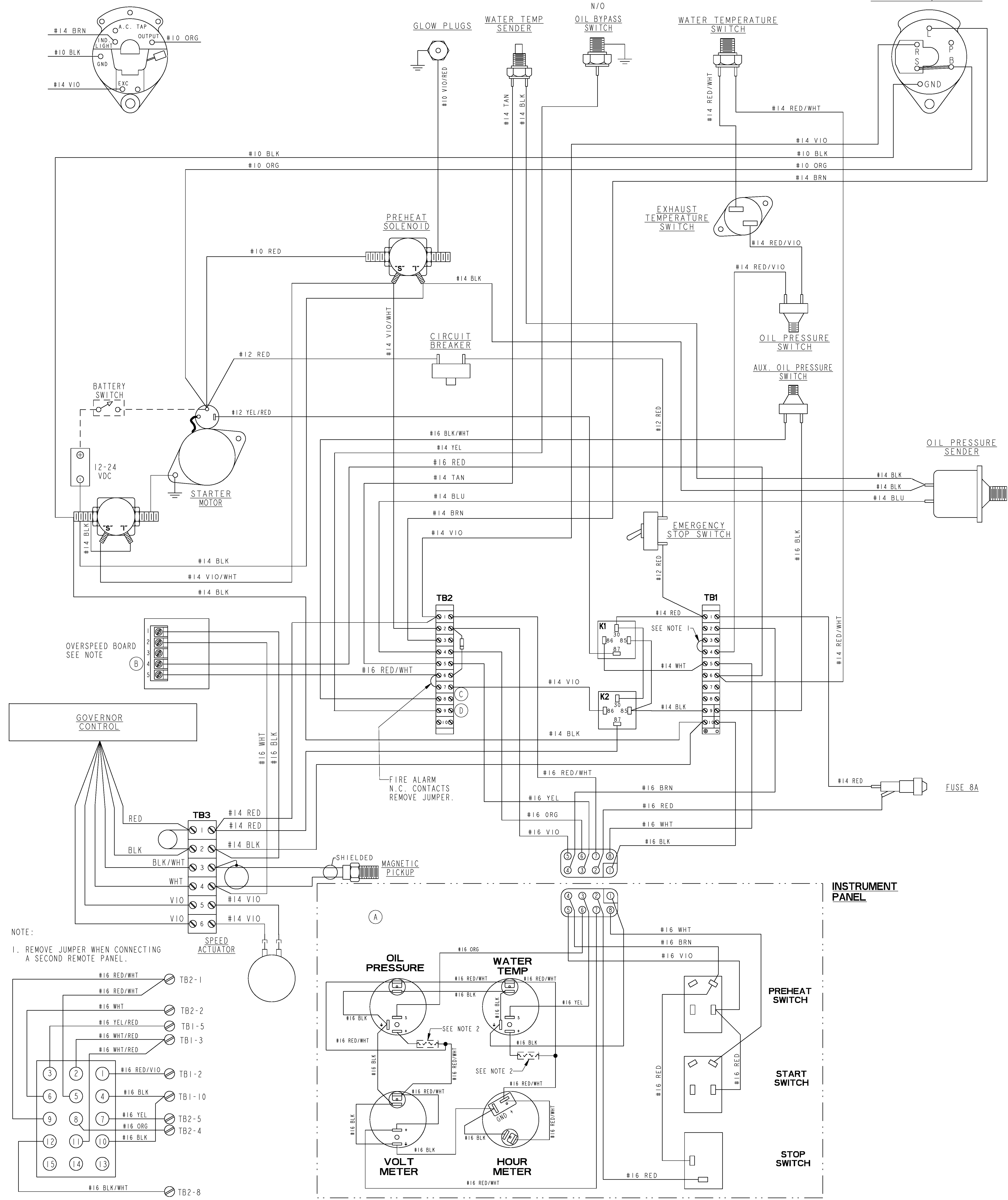
ALTERNATOR, 24V 42A



ALTERNATOR, 12V 51A



ECO NO.	DATE	REV.	REVISION RECORD	AUTH.	DR. BY	ECO NO.	DATE	REV.	REVISION RECORD	AUTH.	DR. BY
6595	1-26-2009	E	UPDATE TITLE BOX WITH 45-95 BEDA MODEL.		GA	5121	11/19/01	A	GAUGES CHANGED, REWIRED INSTRUMENT PANEL CORRECTED SCHEMATIC		JRS
						5767	6/22/04	B	ADD OVERSPEED BOARD		GA
						5861	11/2/04	C	ADDED JUMPER BETWEEN TB2-6&7; K2-88 WAS CONNECTED TO TB2-6;		GA
						6179	3/20/2008	D	RELOCATED #14 YEL TB2-7 TO TB2-9		RPS



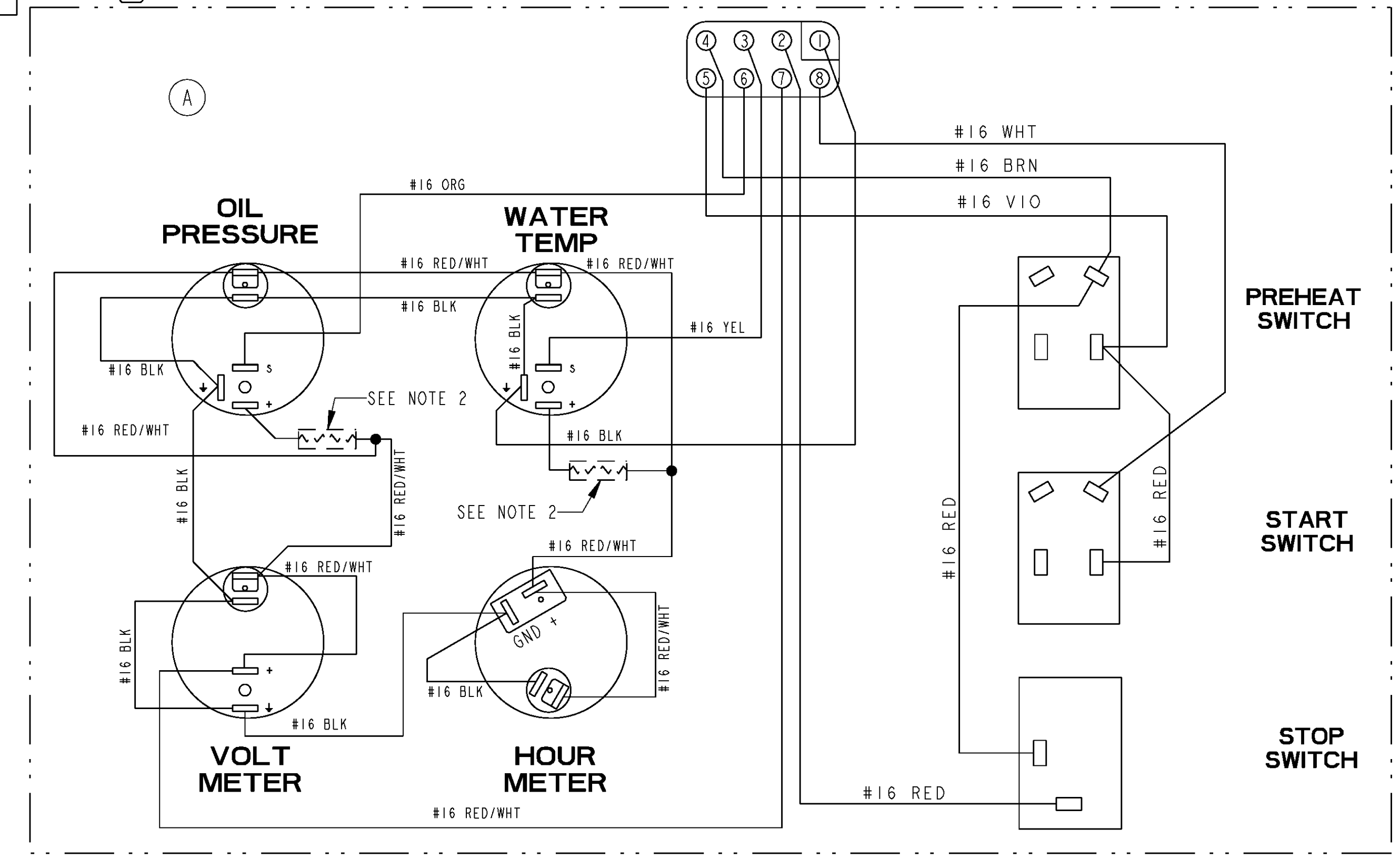
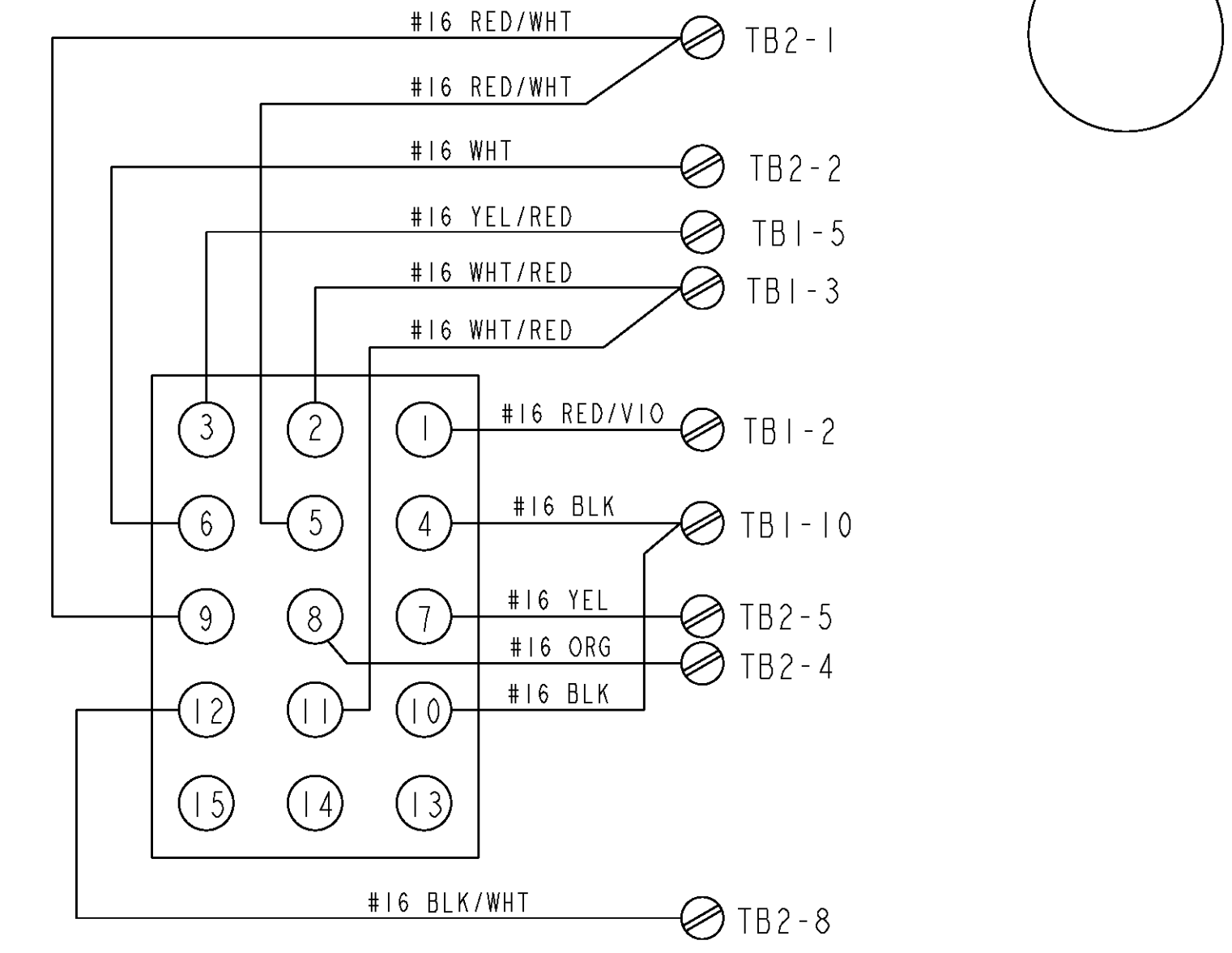
-TYPICAL REMOTE START/STOP PANEL CONNECTIONS-

NOTE:

1. REMOTE CONECTOR PINS
2. FOR 24 VOLT SYSTEM, USE 150Ω RESISTOR AS SHOWN.
3. JUMPER SETTING:  
 J1 OPEN - 50HZ  
 J2 CLOSE - 60HZ  
 J3 OPEN - 5-15KW  
 J4 CLOSE - 20-95KW

NOTE:

1. REMOVE JUMPER WHEN CONNECTING A SECOND REMOTE PANEL.



TOLERANCES (UNLESS OTHERWISE NOTED)		WESTERBEKE CORPORATION AVON MA. 02322	
INCHES	WILLIMETERS	TITLE	
.XX	.02	WIRING DIAGRAM/SCHEMATIC	
.XXX	.005	45.0-95.0 BED/A - UNGROUNDED	
CASST	.03	DRAWN BY	DATE
FINISH	.04	Jeremy Anderson	16/Jan/01
ANGLES	3°	APPROVED BY	DATE
DIMENSIONS	SCALE	SIZE	DRAWING NUMBER
INCHES	SCALE	E	45673
(WHEN APPLICABLE)	SH. 1 of 1	REV.	E