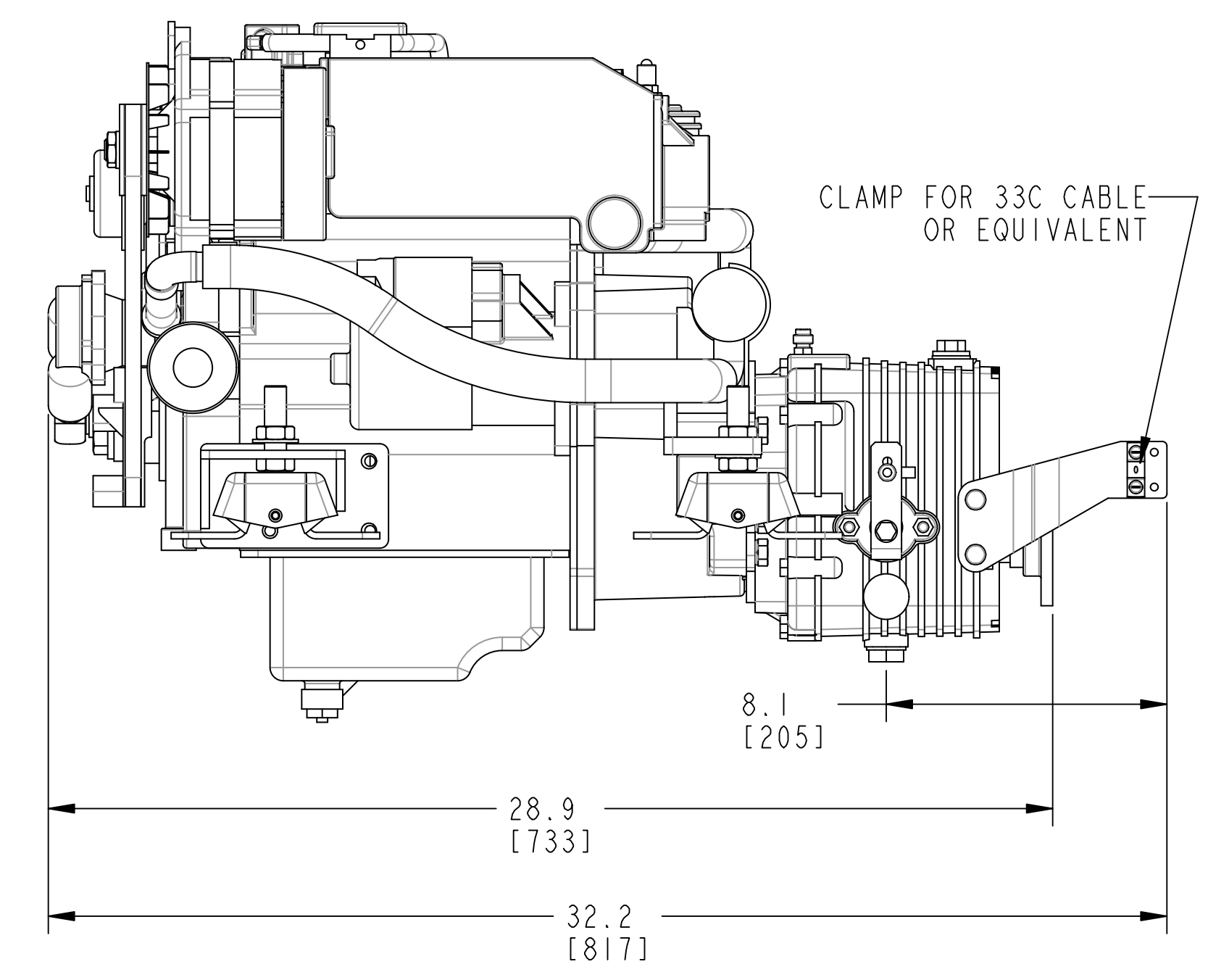
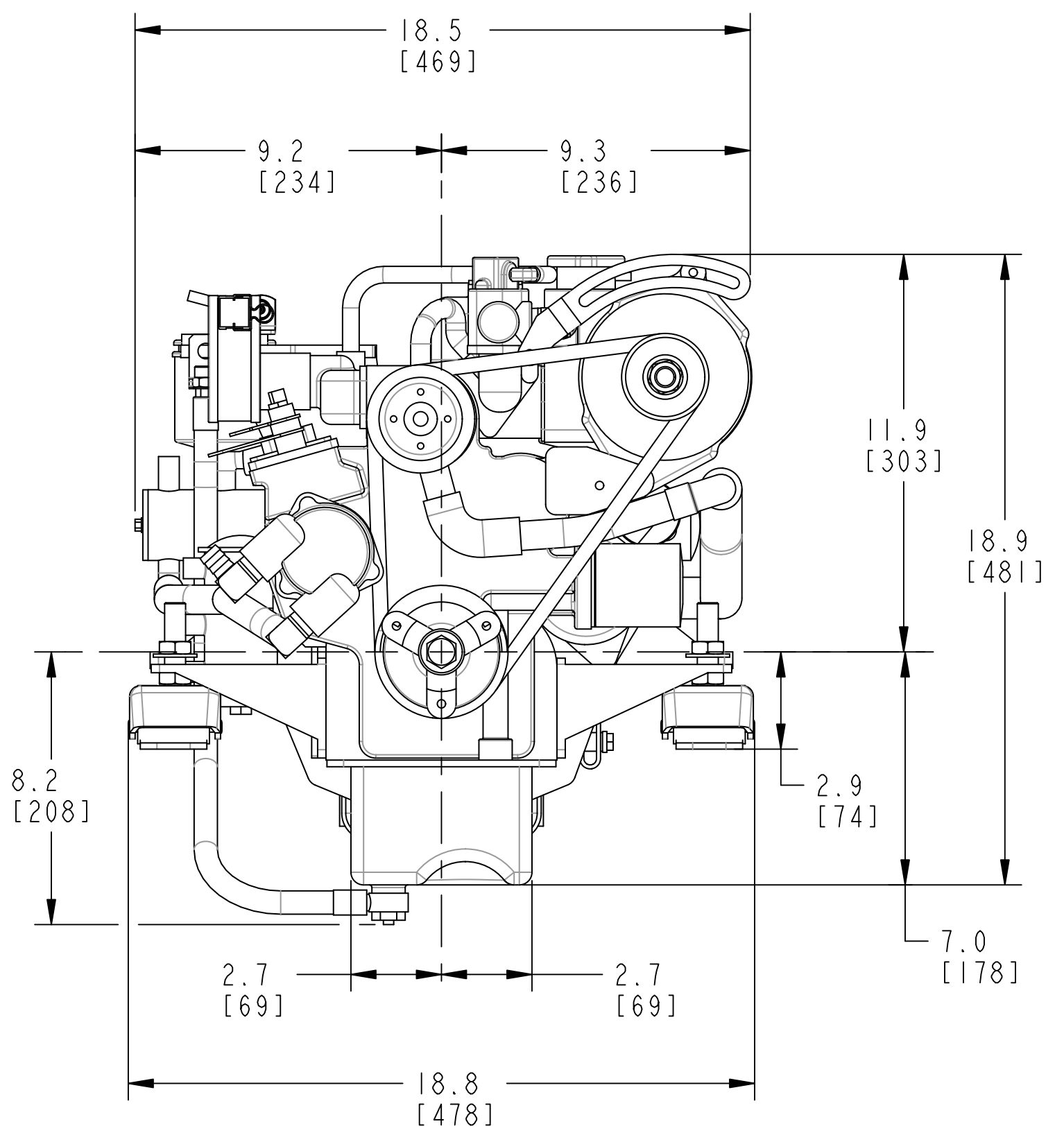
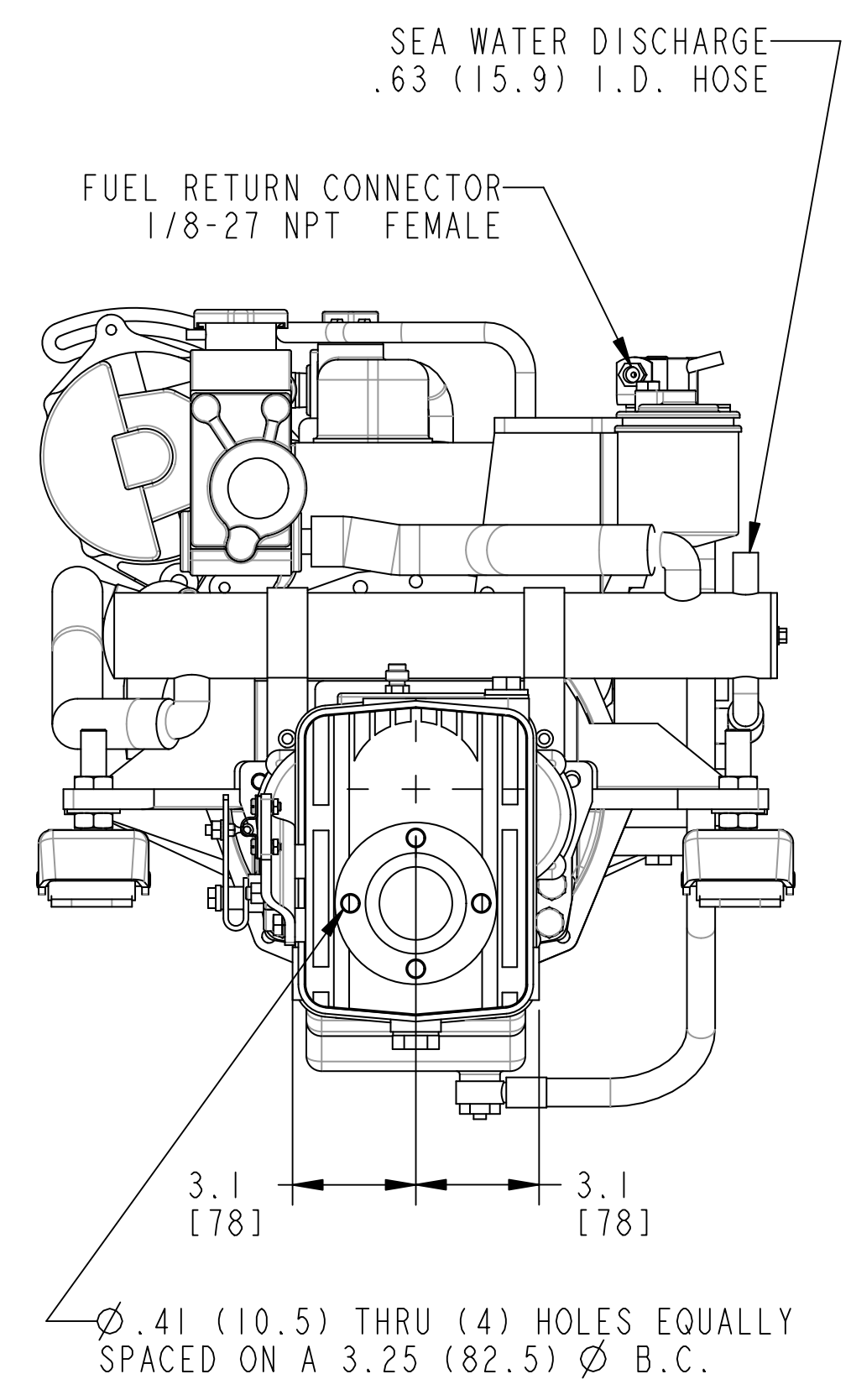


RAW WATER INLET
.63 (15.9) I.D.

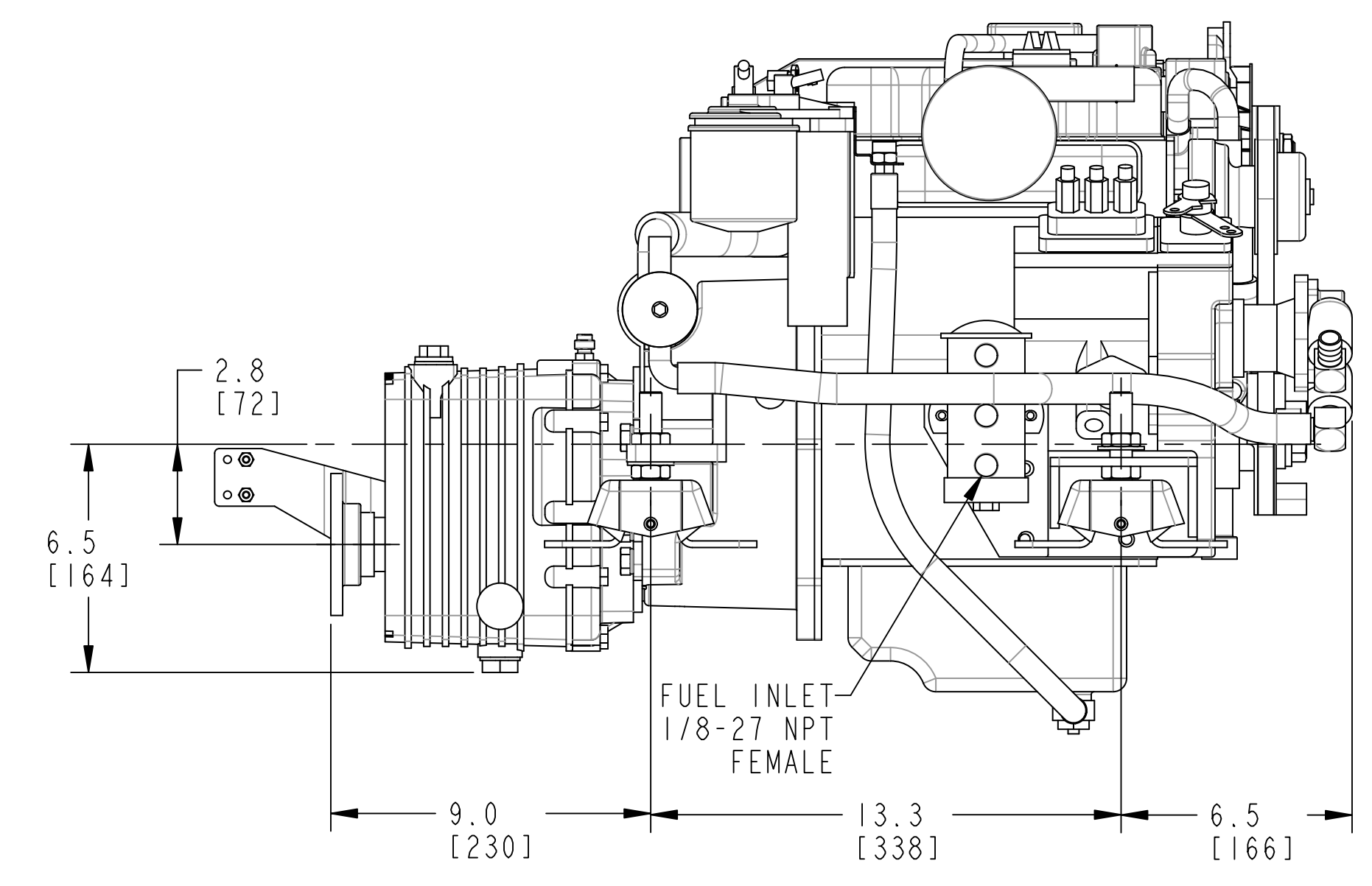


CLAMP FOR 33C CABLE
OR EQUIVALENT

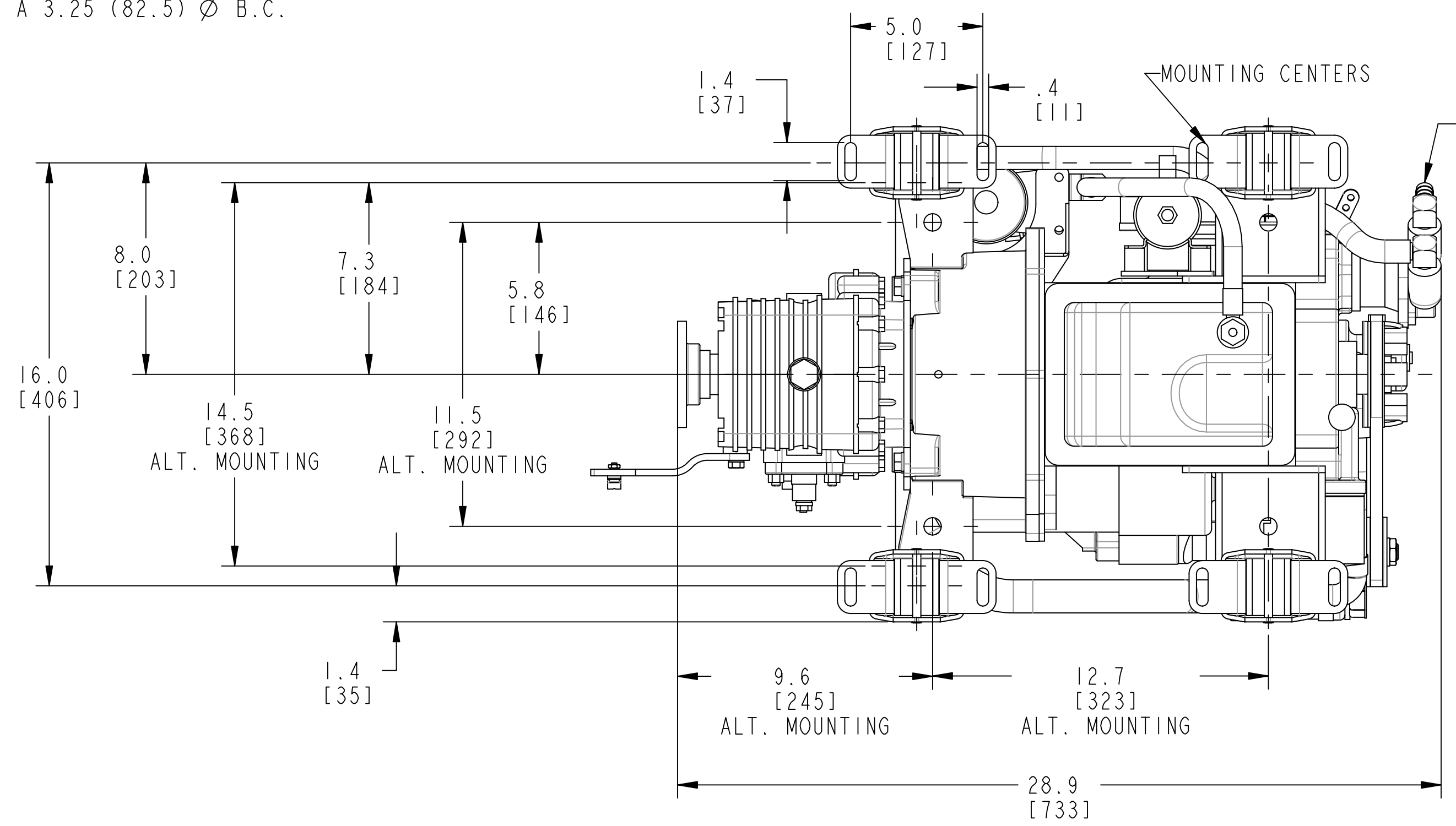


SEA WATER DISCHARGE
.63 (15.9) I.D. HOSE

FUEL RETURN CONNECTOR
1/8-27 NPT FEMALE

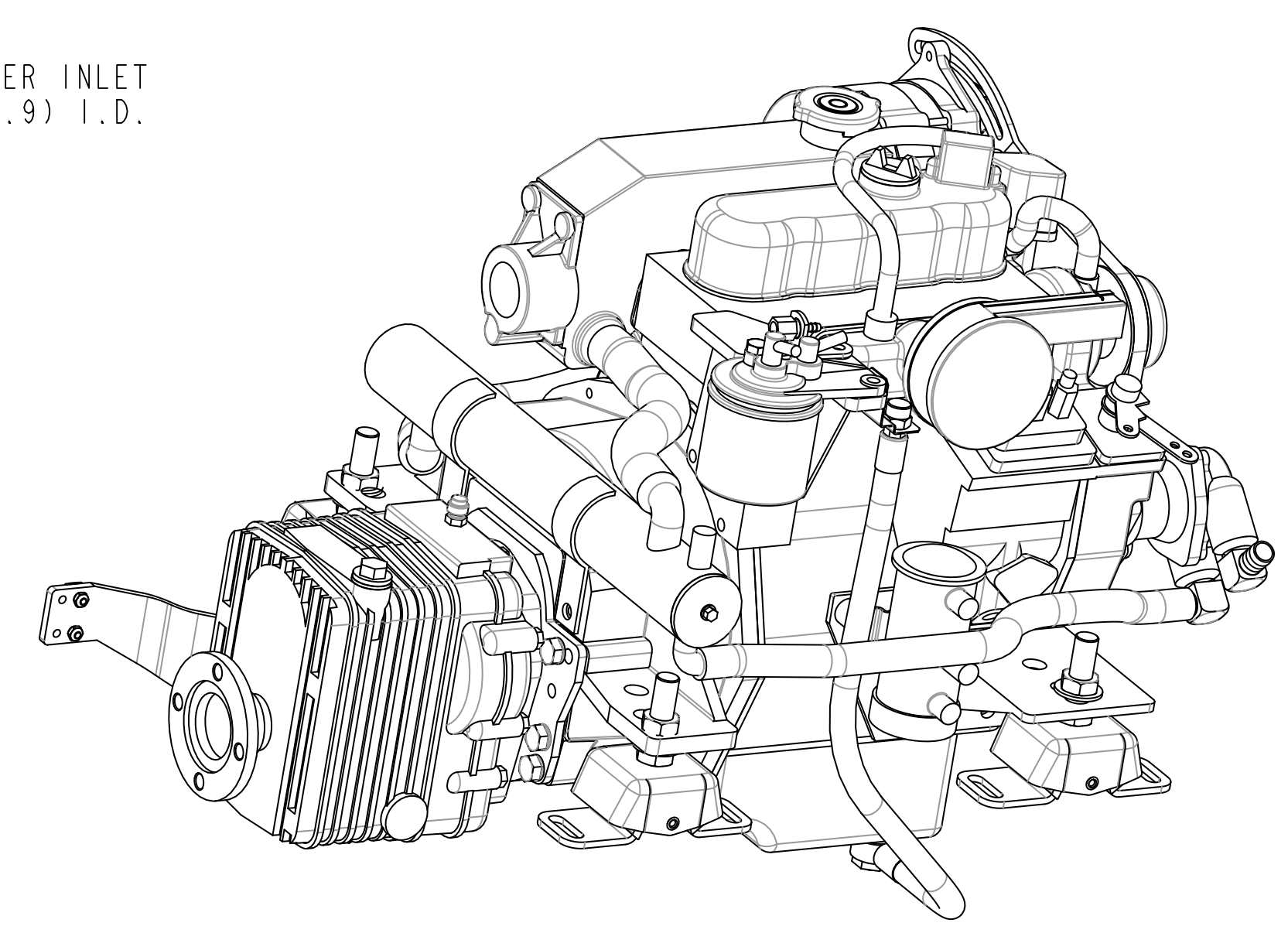


FUEL INLET
1/8-27 NPT
FEMALE



MOUNTING CENTERS

RAW WATER INLET
.63 (15.9) I.D.



TOLERANCES (UNLESS OTHERWISE NOTED)			
INCHES	MILLIMETERS		
.XX : .02	X. ± 1.0	INSTALLATION DRAWING	
.XXX : .005	.X ± .5	M3-20B PRM120 TRANSMISSION	
CAST : .03	.XX ± .13	DRAWN BY	DATE
ANGLES : 3°		GA	1-21-2015
FINISH : 83/		APPROVED BY	DATE
DIMENSIONS		SCALE 0.250	SIZE
INCHES		SHT. 1 OF 1	D
MILLIMETERS		DRAWING NUMBER	
(WHEN APPLICABLE)		201096	
		REV.	
		-	