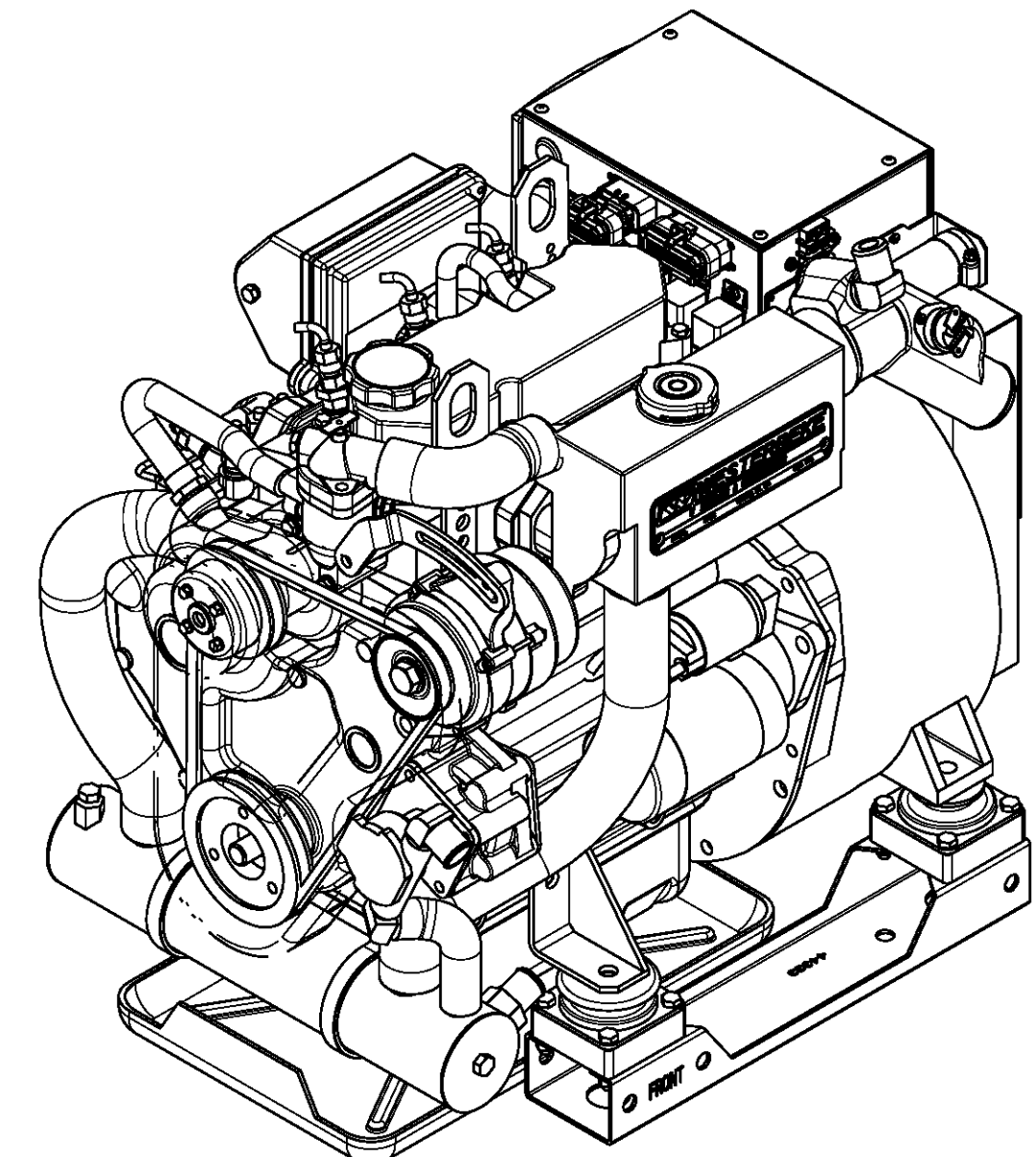
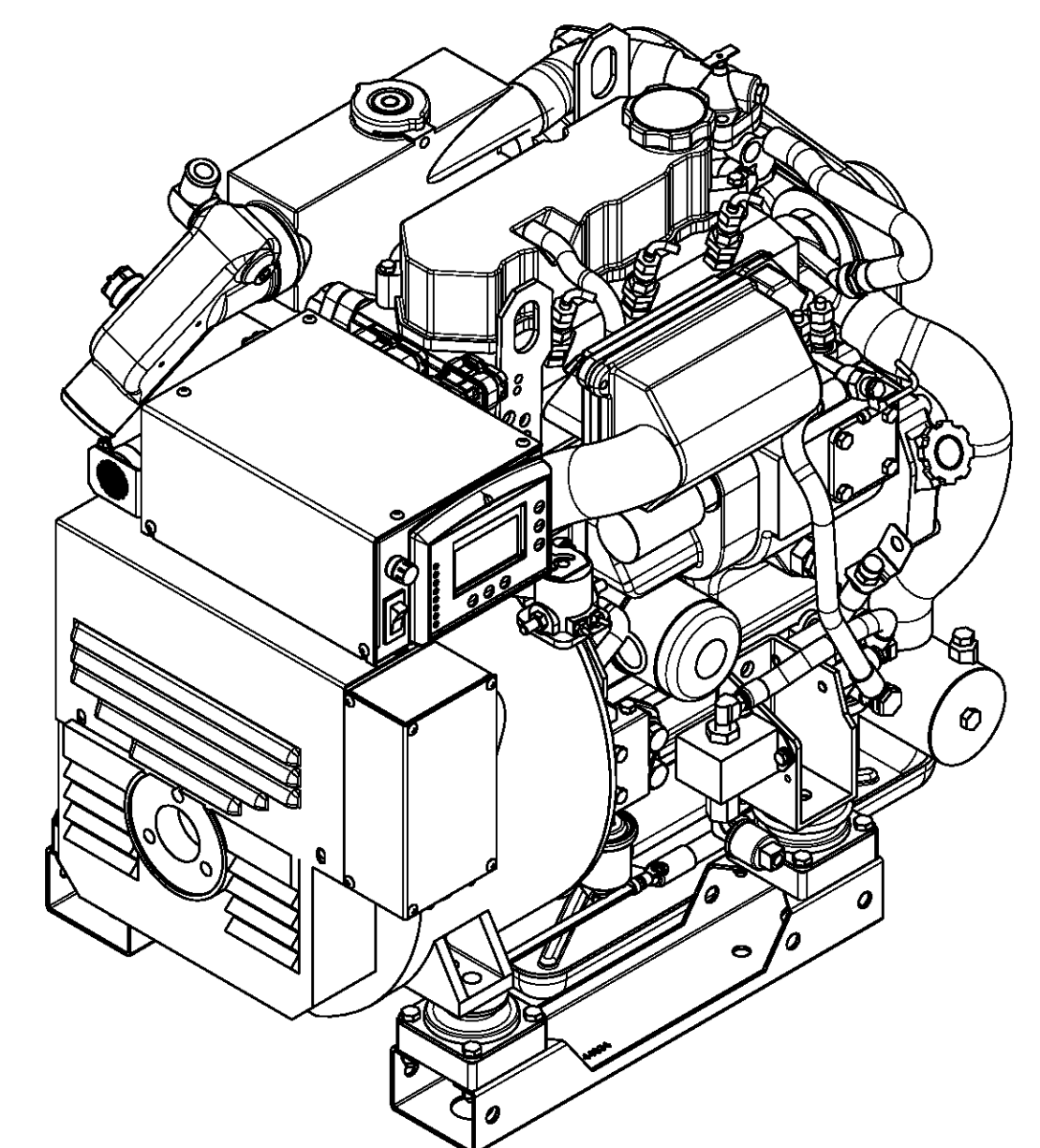
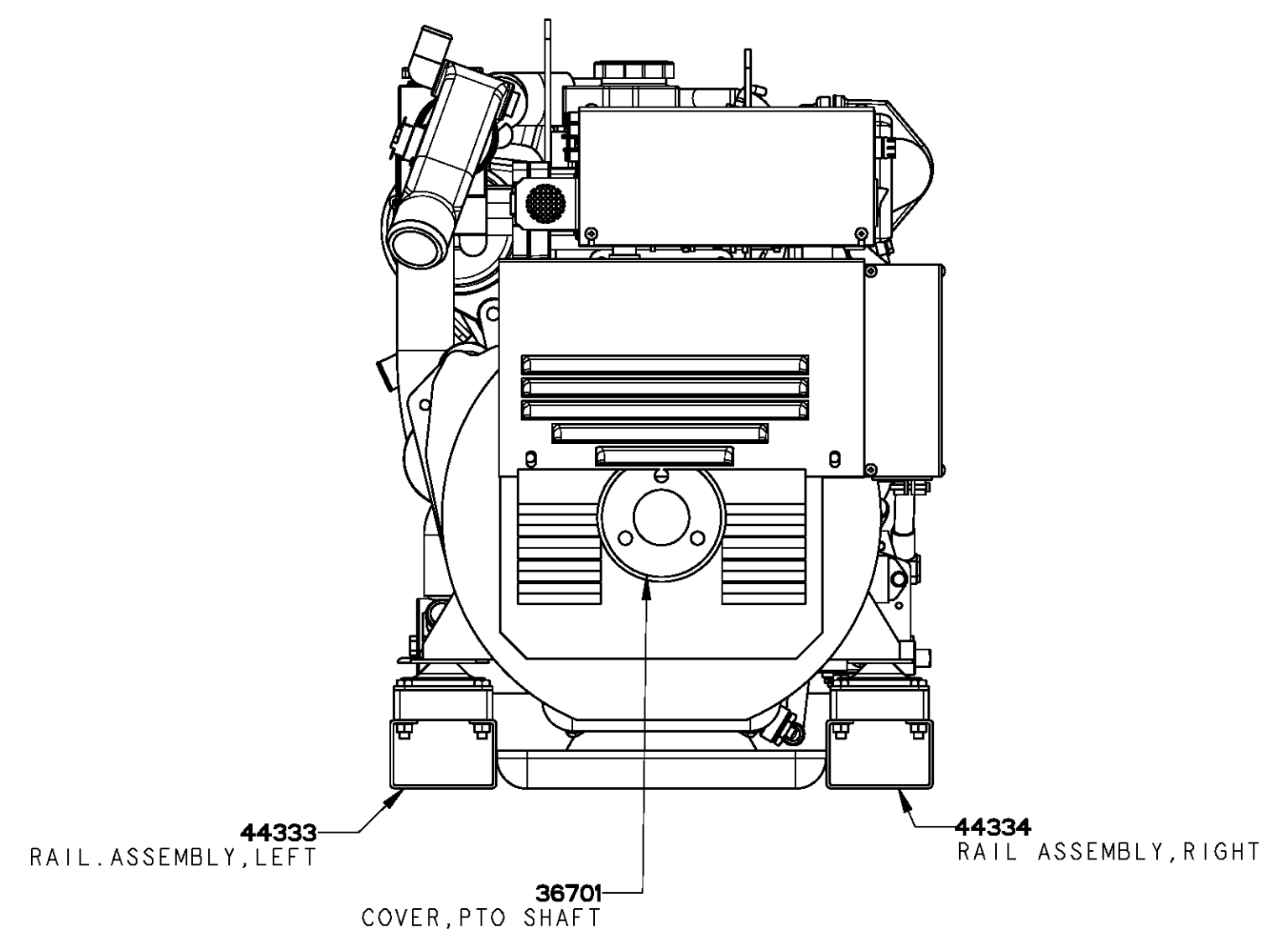
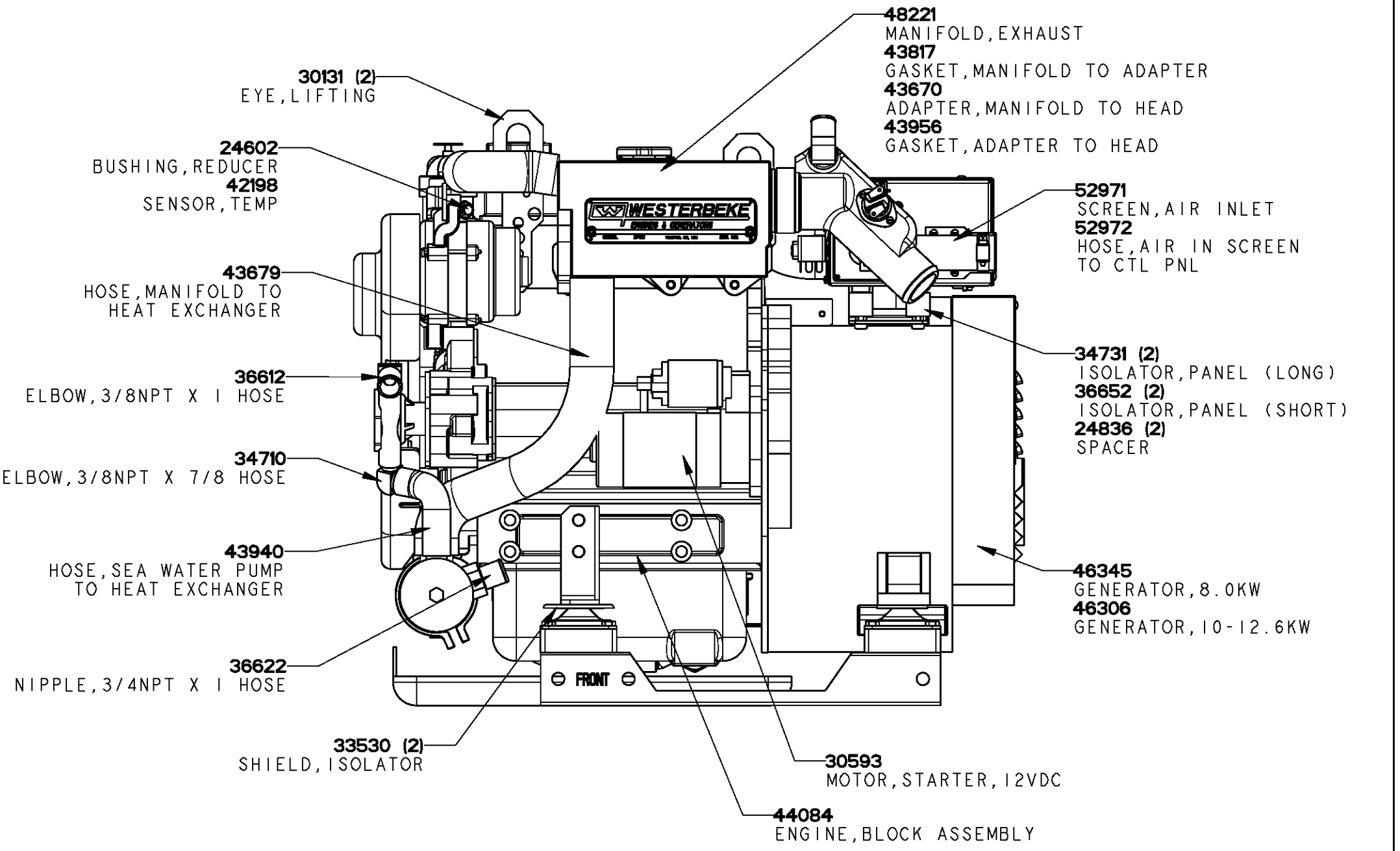
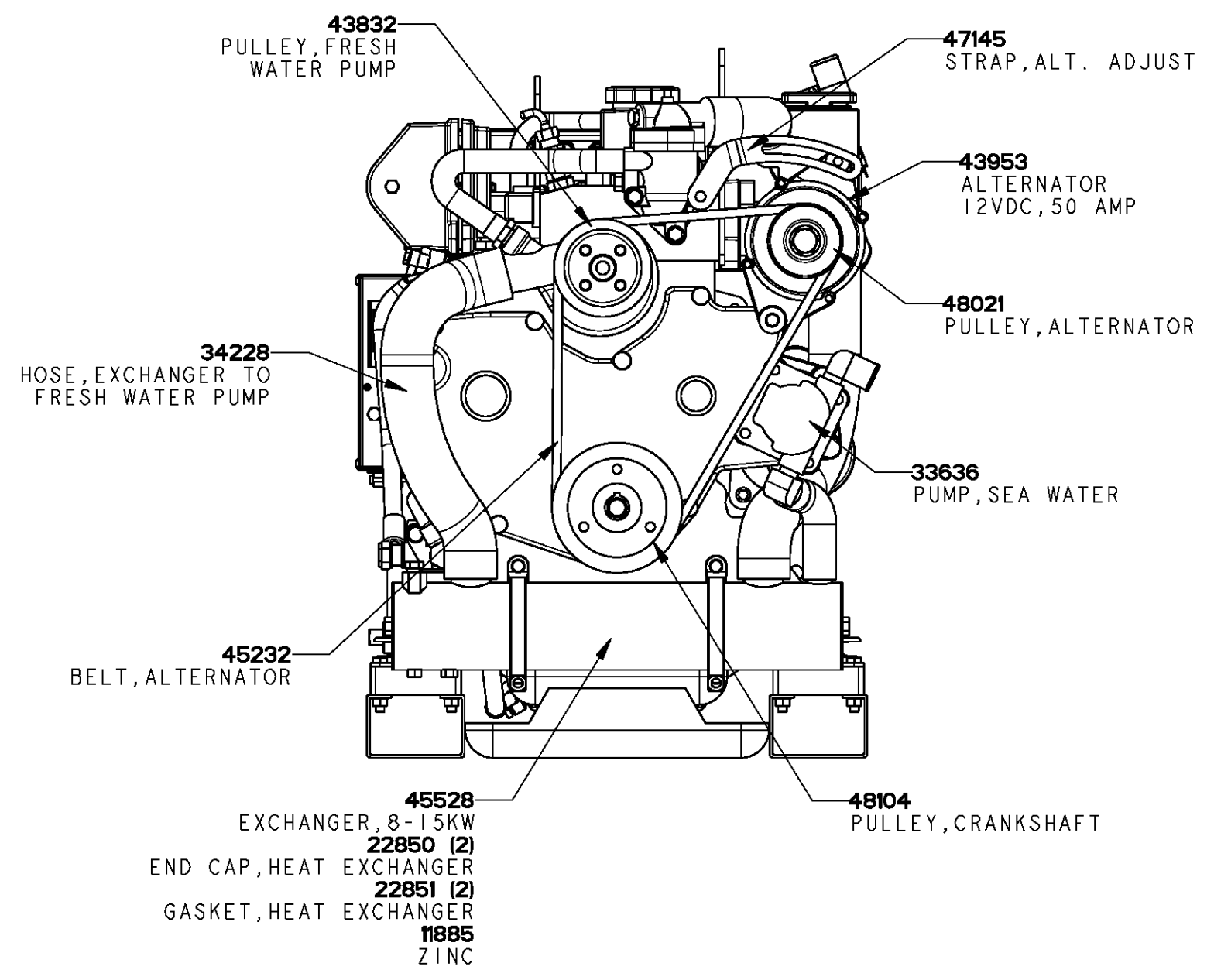
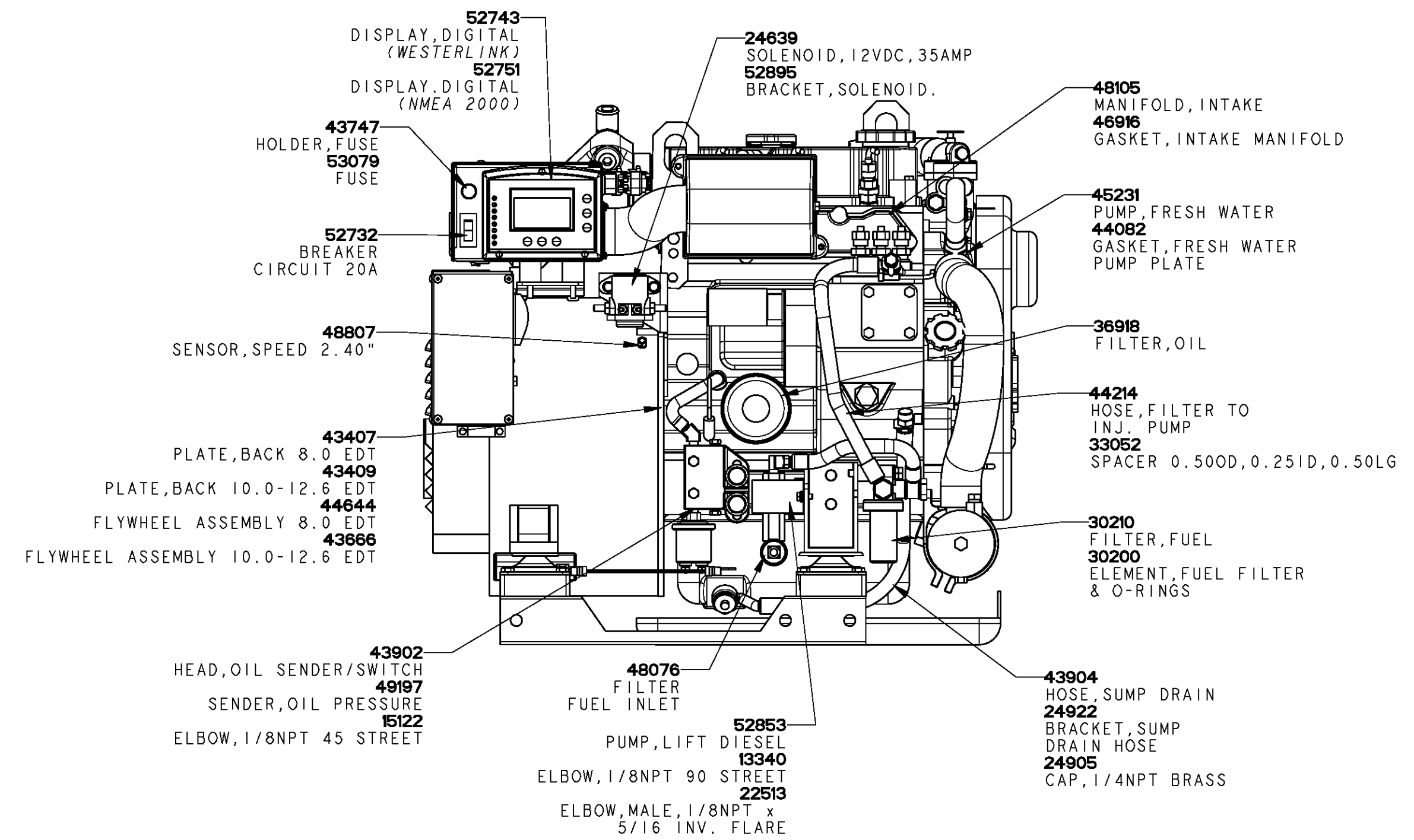
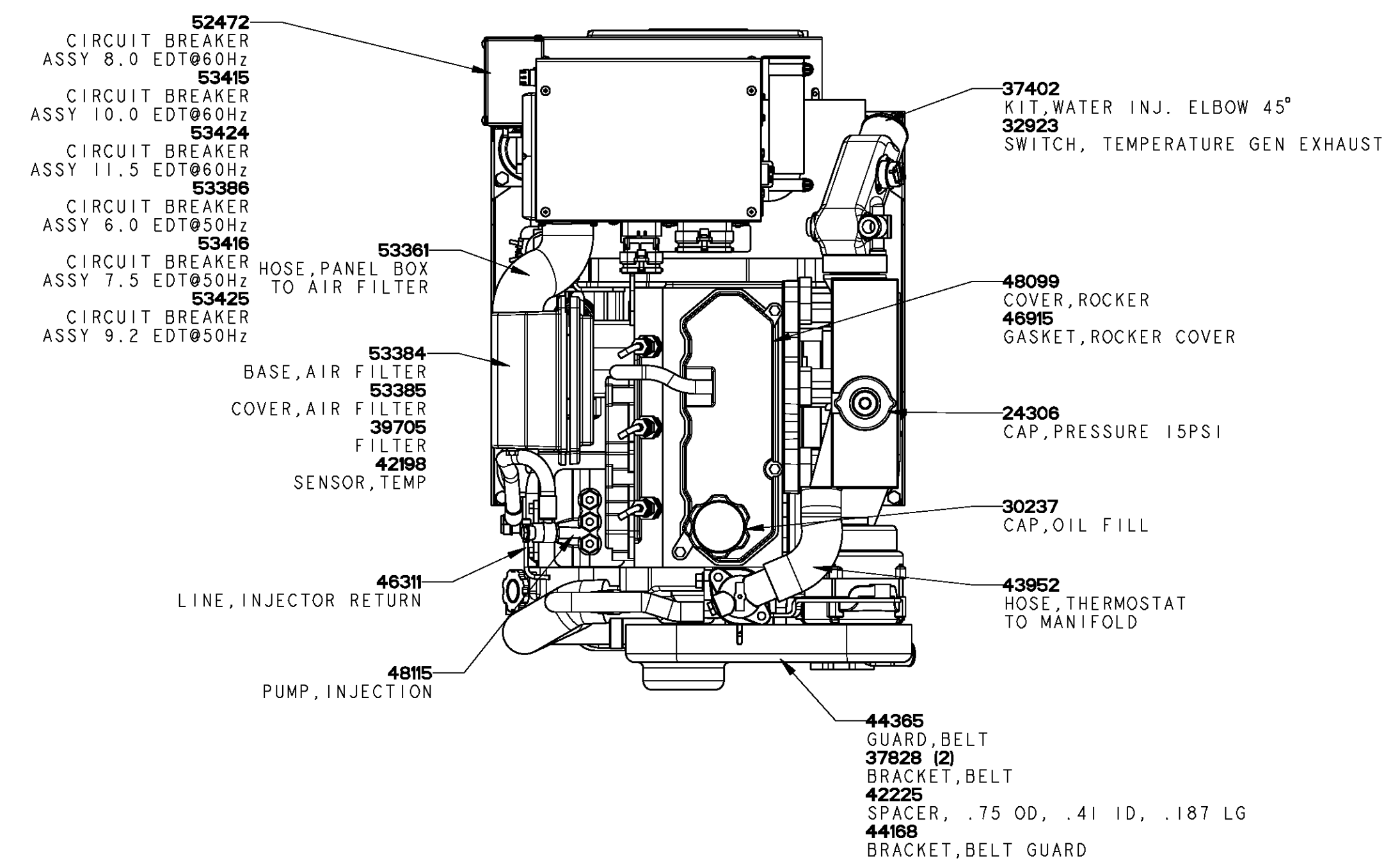


ECO NO.	DATE	REV.	REVISION RECORD	AUTH.	DR. BY
6518	5-30-2008	A	CHANGE 12.6 EDT TO 11.5 EDT		GA



TOLERANCES (UNLESS OTHERWISE NOTED)		WESTERBEKE CORPORATION TAUNTON, MA. 02780	
INCHES	MILLIMETERS	TITLE	DATE
.XX : .02	.X : ± 1.0	PARTLIST DRAWING	16/Apr/07
.XXX : .005	.X : ± .5	8.0-11.5 EDT	
CAST : .03	.XX : ± .13		
FINISH			
DIMENSIONS		APPROVED BY	MATERIAL
INCHES		DATE	
MILLIMETERS		SCALE 0.188	SIZE
(WHEN APPLICABLE)		SHT. 1 OF 1	DRAWING NUMBER
			52897
			REV. A